



## **Accessories Contents**

[Standard Accessories](#)

[Mullion Cover & Base](#)

[H/Tie Mullions](#)

[3-Piece Mullion](#)

[Receptor-Sub Sill/Anchors](#)

[Stool Covers/Sill Covers](#)

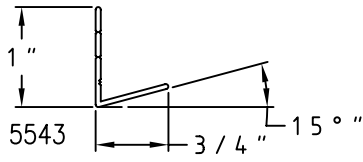
[Panning](#)

[Snap-Trim](#)

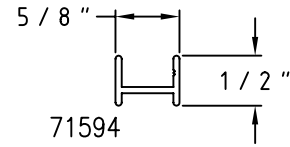
[Screens](#)

140 Eileen Way \* Syosset, NY 11791 \*T: 516-921-6200 \* Fax: 516-921-6370

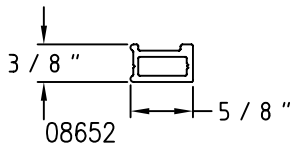
[www.championwindows.com](http://www.championwindows.com)



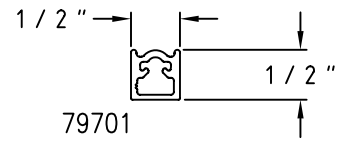
(A01) Sill Angle



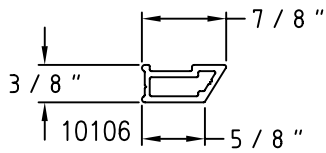
(A06) Child Guard Hollow



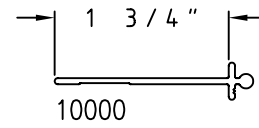
(A02) Landmark Frame



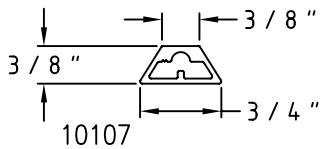
(A07) Child Guard Channel



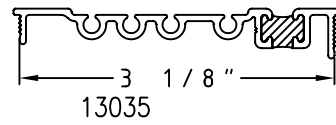
(A03) Bevel Landmark Frame



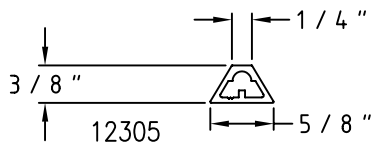
(A08) Nailing Fin



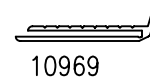
(A04) 7/8" Landmark Grid Large



(A09) Nailing Fin Adapter



(A05) 5/8" Landmark Grid

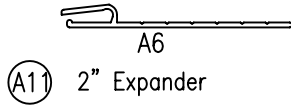


(A10) 1" Expander

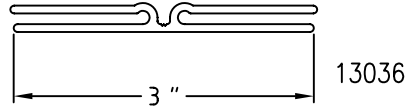
# Champion Series Accessories

SCALE: HALF

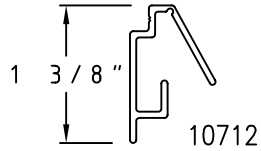
Sheet 2 of 5



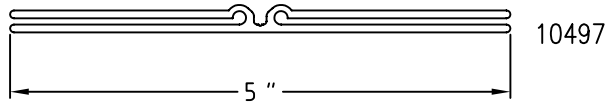
(A11) 2" Expander



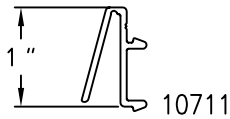
(A17) 3" Dual Expander



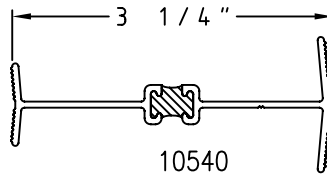
(A12) Caulk Return Head



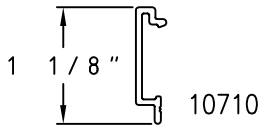
(A18) 5" Dual Expander



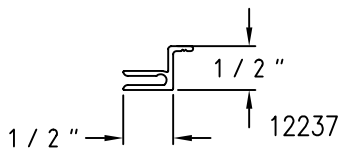
(A13) Caulk Return Jamb



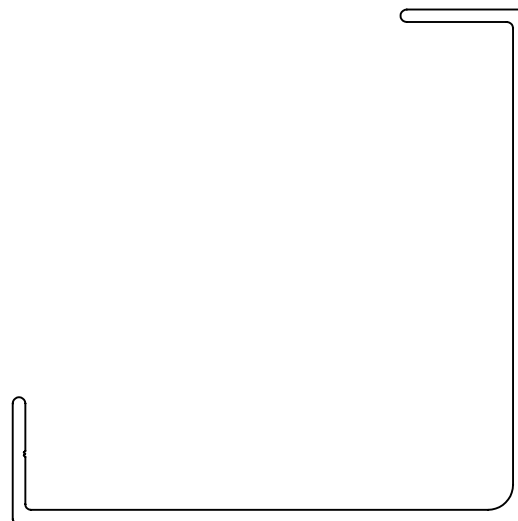
(A19) 10 Degree Tie in Mullion



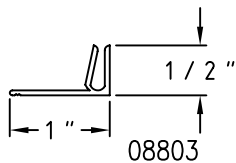
(A14) Caulk Return Cover



(A15) Caulk Stop with Return



(A20) 5 1/8" x 5 1/8" Corner Post Cover



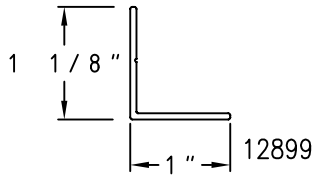
(A16) 1" Caulk Return

Champion Series Accessories

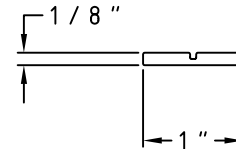
# Champion Series Accessories

SCALE: HALF

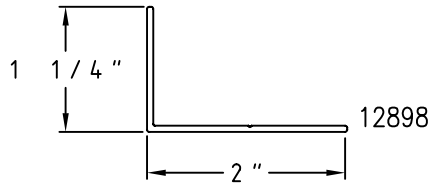
Sheet 3 of 5



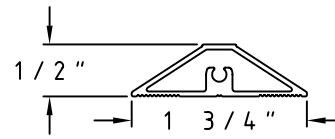
(A21) 1 1/8" x 1" Unequal Angle



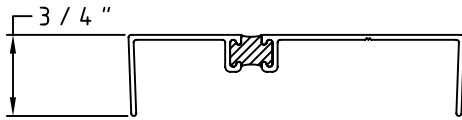
(A26) 1/8" x 1" Flat Muntin



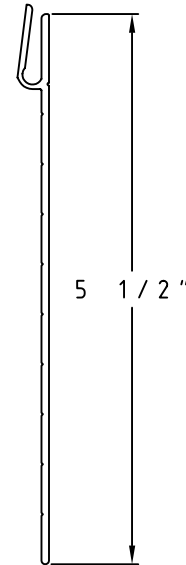
(A22) 1 1/4" x 2" Unequal Angle



(A27) 1 3/4" Bevel Muntin

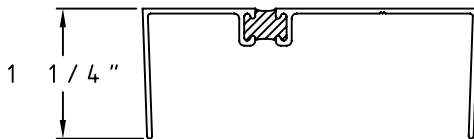


(A23) 3/4" x 3 3/8" Head Expander

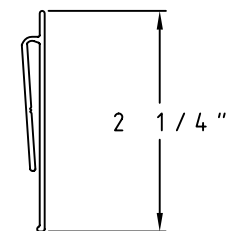


12526

(A28) 5 1/2" Expander

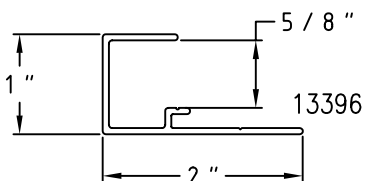


(A24) 1 1/4" x 3 3/8" Head Expander



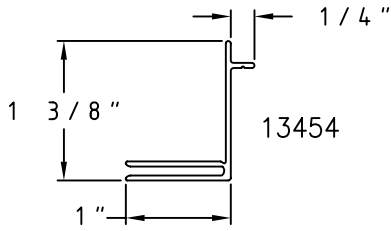
14952

(A29) 2 1/4" Expander

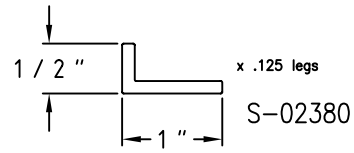


(A25) Sheet Rock Receptor

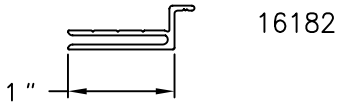
SCALE: HALF



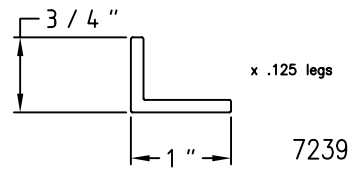
(A30) Caulk 1" x 1 3/8" w/1/4" return



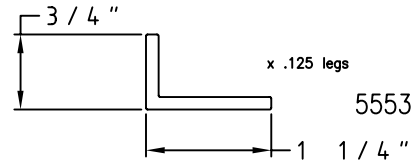
(A33) 1/2" x 1" Unequal Angle



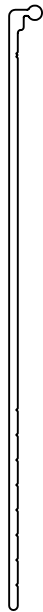
(A31) Caulk 1" w/1/4" return



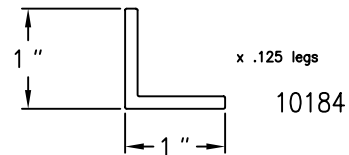
(A34) 3/4" x 1" Unequal Angle



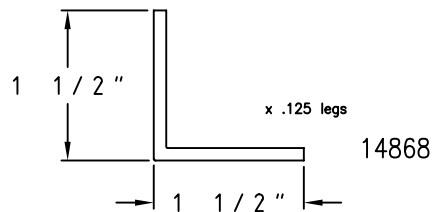
(A35) 3/4" x 1 1/4" Unequal Angle



(A32) Nailfin Anchor Strap



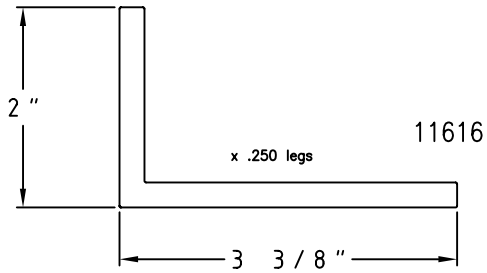
(A36) 1" x 1" Angle



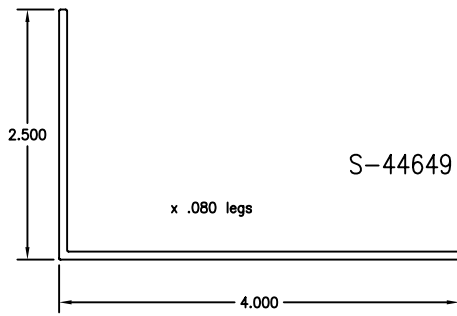
(A37) 1 1/2" x 1 1/2" Angle

# Champion Series Accessories

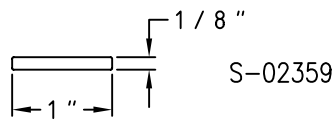
SCALE: HALF



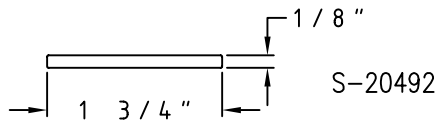
(A38) 2" x 3 3/8" Unequal Angle



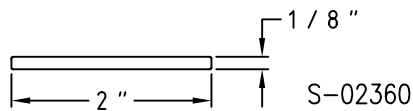
(A39) 2 1/2" x 4" Unequal Angle



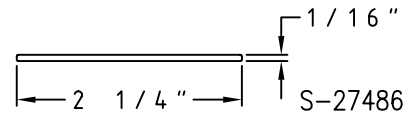
(A40) 1" x 1/8" Flat Bar



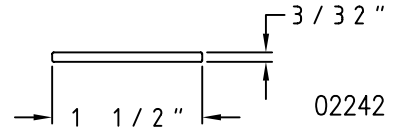
(A41) 1 3/4" x 1/8" Flat Bar



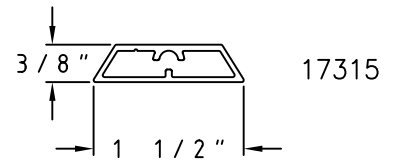
(A42) 2" x 1/8" Flat Bar



(A43) 2 1/4" x 1/16" Flat Bar



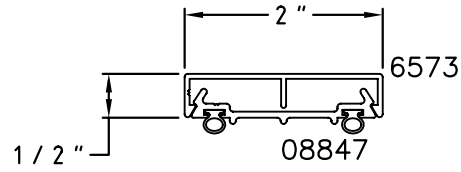
(A44) 1 1/2" x 3/32" Flat Bar



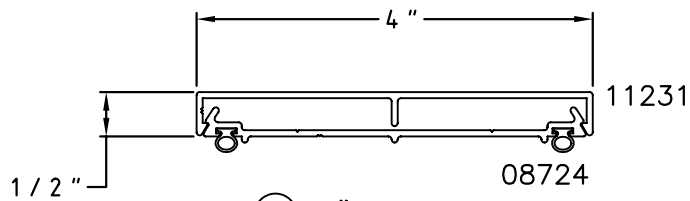
(A45) 1 1/2" 3/8" Muntin

# Champion Mullion Series

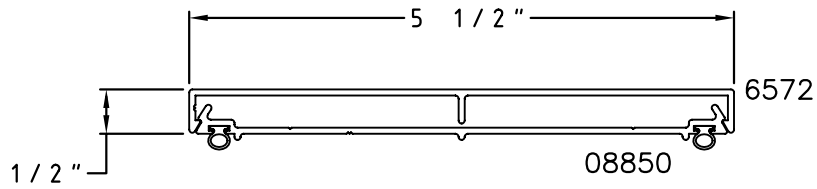
SCALE: HALF



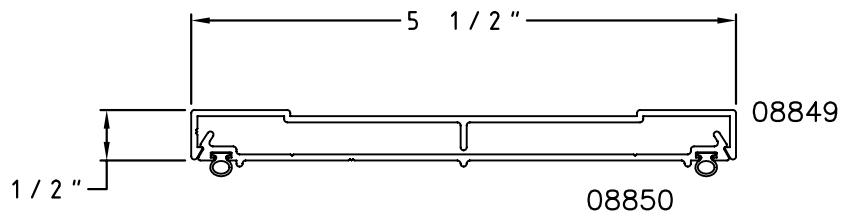
(M01) 2" Mullion



(M02) 4" Mullion



(M03) 5 1/2" Mullion



(M04) 5 1/2" Mullion Colonial

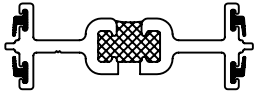
Champion Mullion Series

FOR ORDERING PURPOSES REFER TO THE CAP AS: A  
AND THE PRESSURE PLATE AS: B

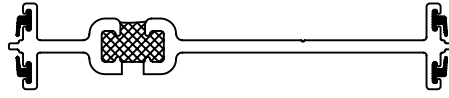
# Champion Series Tie-in & H-Mullions

SCALE: HALF

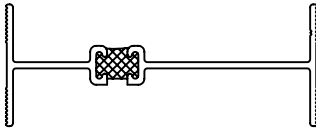
Sheet 1 of 1



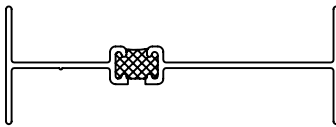
12073  
FOR 2½" WINDOWS



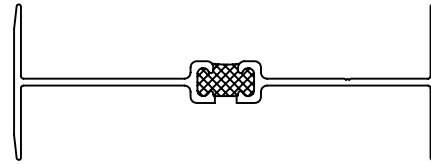
19209  
FOR 4½" WINDOWS



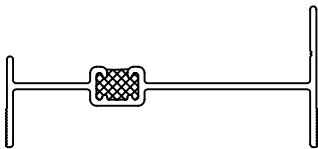
11015  
Tie-in Mullion for 3¼" Window



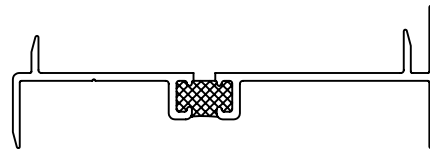
11585  
H-Mullion for 3 1/4" Window



9776  
H-Mullion for 4 1/8" Window



11016  
Stack Mullion for 3¼" Window



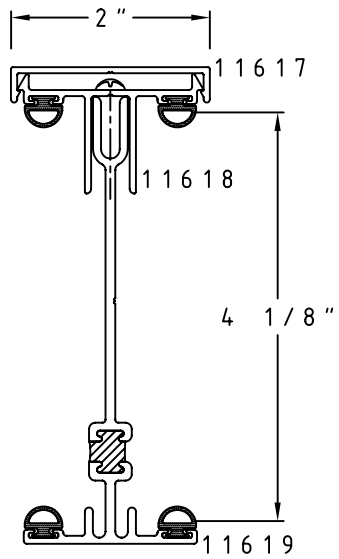
10940  
Stack Mullion for 4 1/8" Window

C  
h  
a  
m  
p  
i  
o  
n  
M  
u  
l  
l  
i  
o  
n

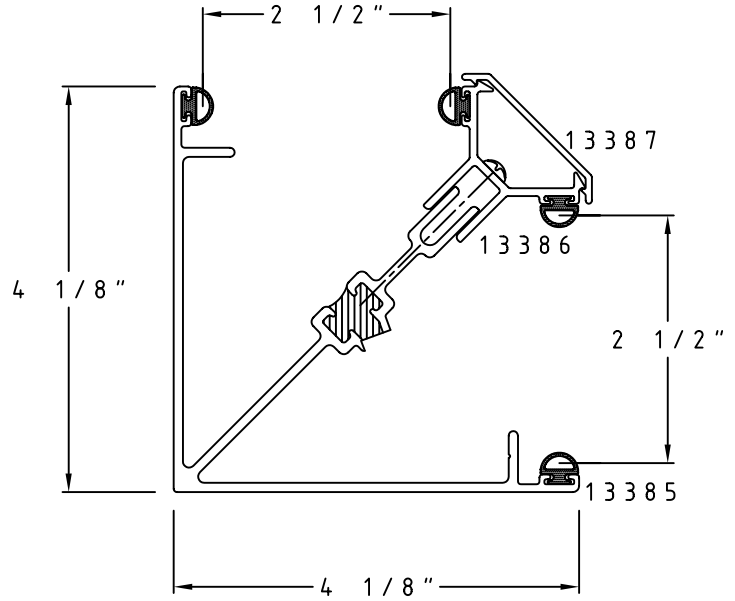


# Champion Series 3 PC Mullion

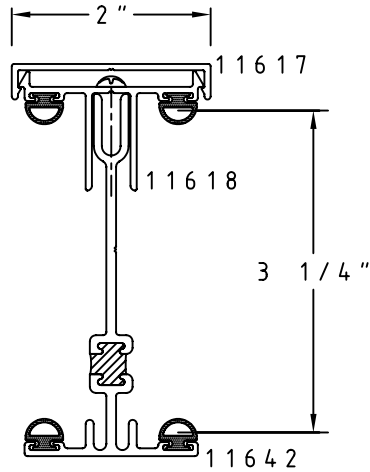
SCALE: HALF



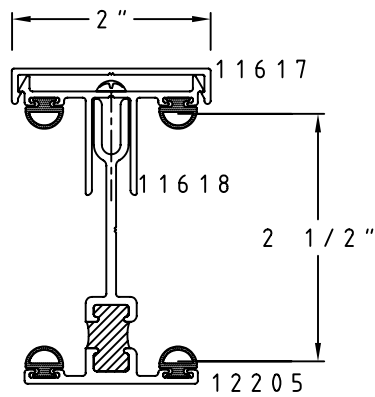
(M05) Used for 4 1/8" Series Windows



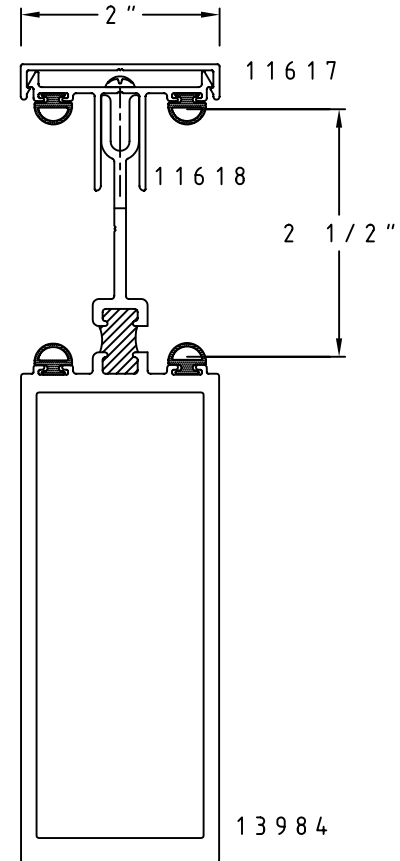
(M08) Used for 2 1/2" Series Windows



(M06) Used for 3 1/4" Series Windows



(M07) Used for 2 1/2" Series Windows

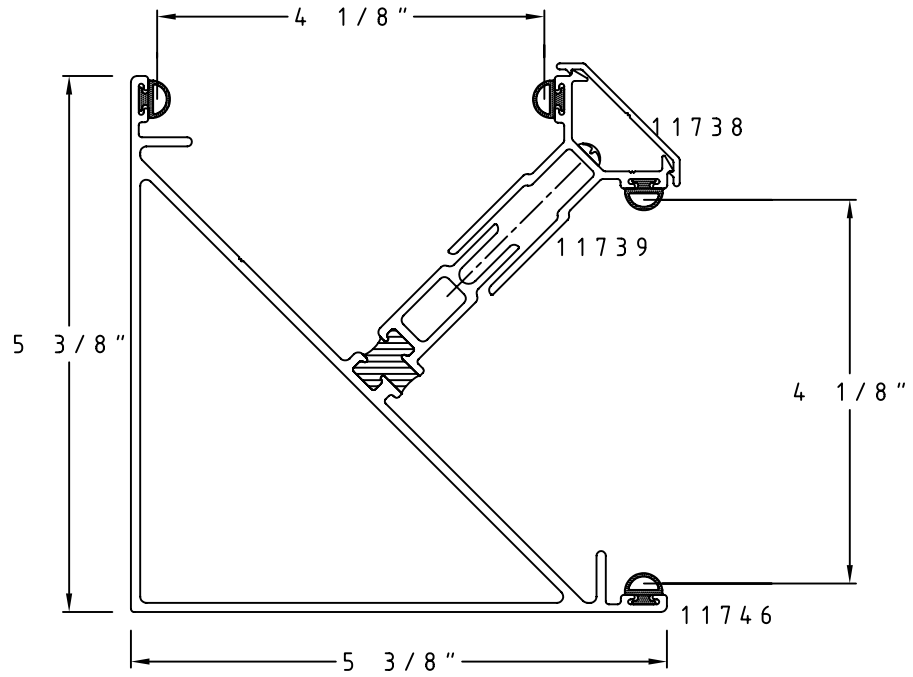


(M09) Used for 2 1/2" Series Windows

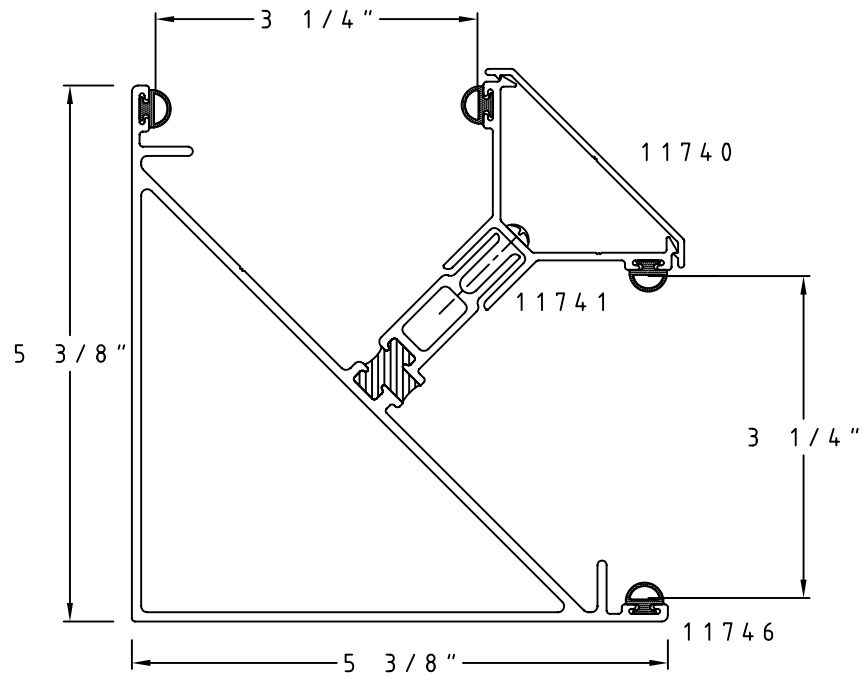
FOR ORDERING PURPOSES, REFER TO THE CAP AS: A  
THE PRESSURE PLATE AS: B, AND THE MULLION AS: C

# Champion Series 3 PC Mullion

SCALE: HALF



(M13) Used for 4 1/8" Series Windows

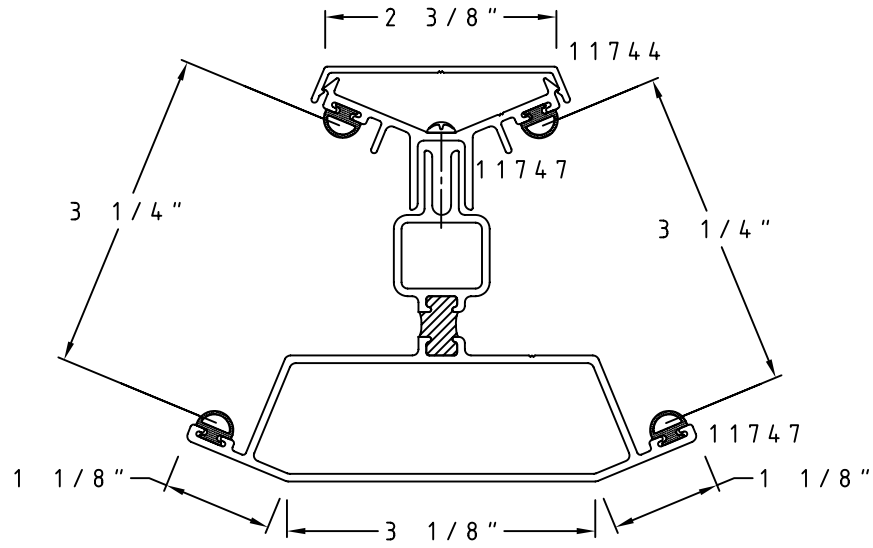


(M10) Used for 3 1/4" Series Windows

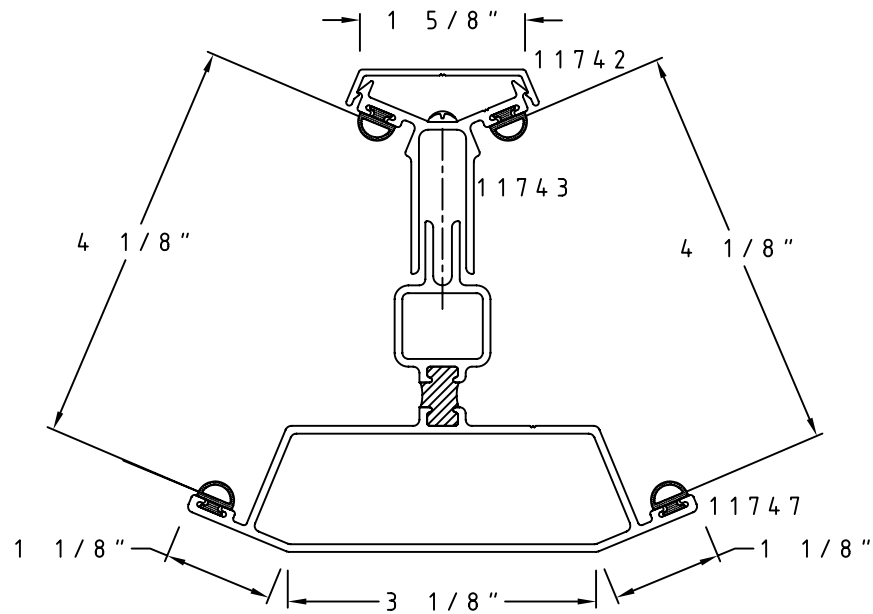
FOR ORDERING PURPOSES, REFER TO THE CAP AS: A  
THE PRESSURE PLATE AS: B, AND THE MULLION AS: C

# Champion Series 3 PC 135° Mullion

SCALE: HALF



(M11) Used for 3 1/4" Series Windows

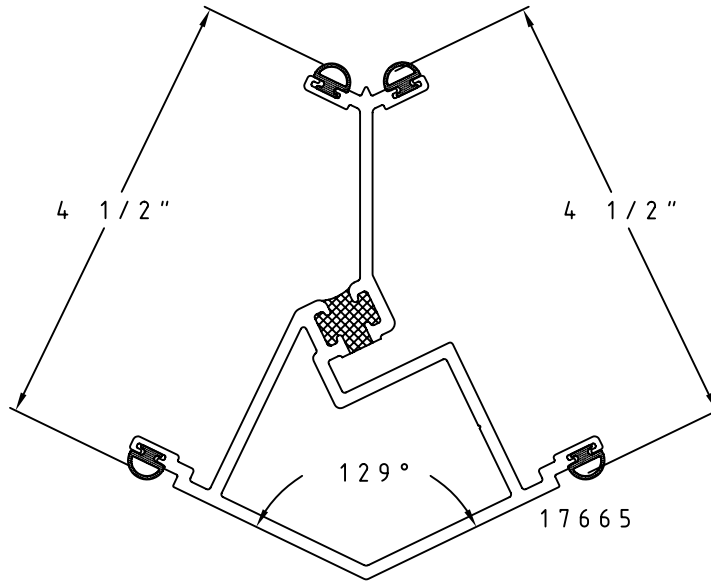


(M12) Used for 4 1/8" Series Windows

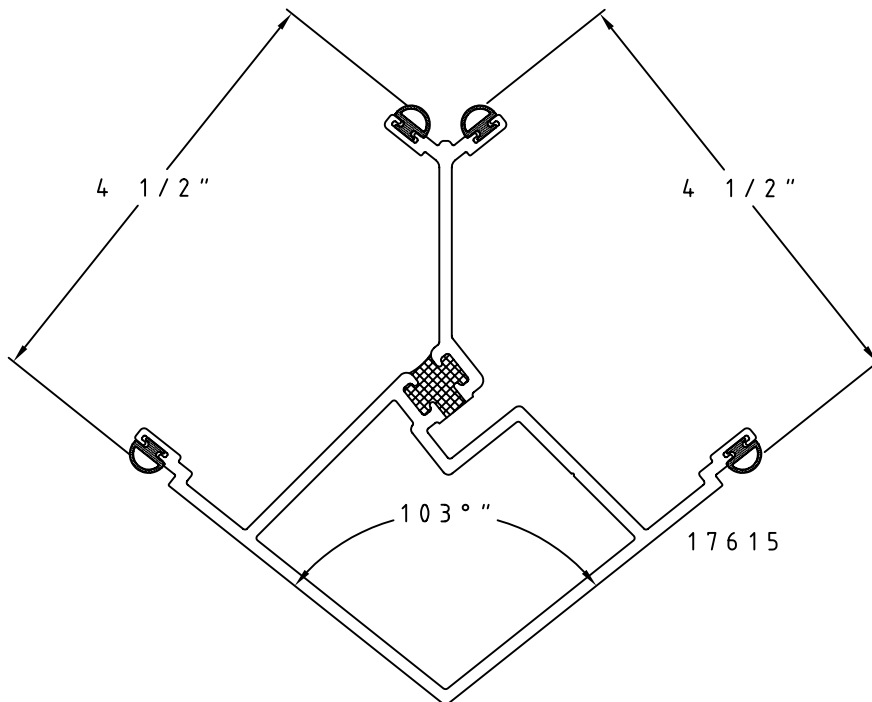
FOR ORDERING PURPOSES, REFER TO THE CAP AS: A  
THE PRESSURE PLATE AS: B, AND THE MULLION AS: C

# Champion Series Special Angle Mullion

SCALE: HALF



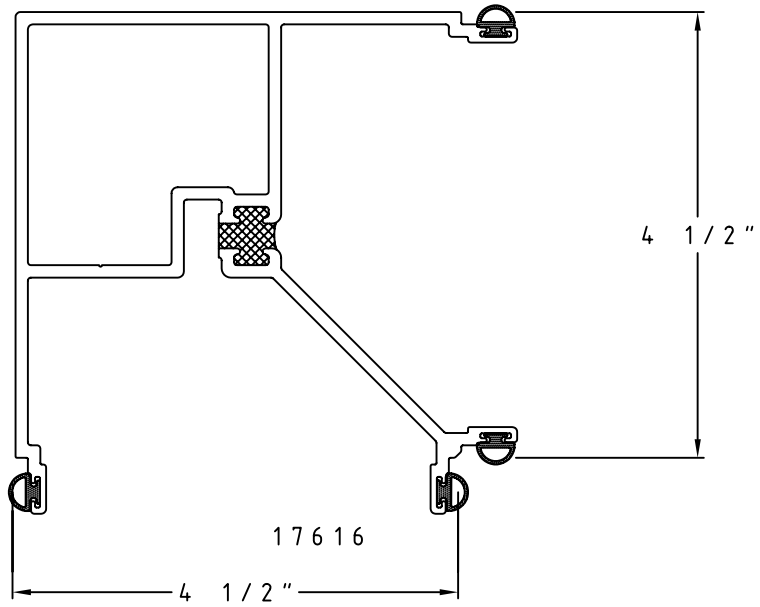
(M14) Used for  $4\ 1/2''$  Series Windows



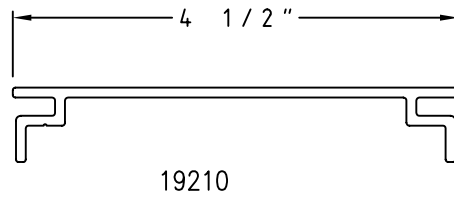
(M15) Used for  $4\ 1/2''$  Series Windows

# Champion Series 90° Mullion

SCALE: HALF



(M16) Used for 4 1/2" Series Windows

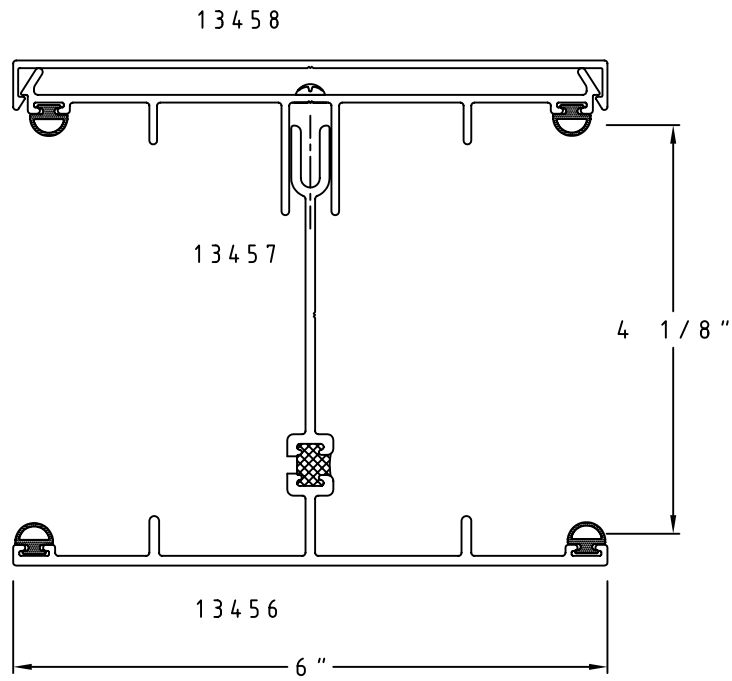


(M17) 4 1/2" Spread Mullion

# Champion 3 pc mullion

SCALE: HALF

Sheet 6 of 7



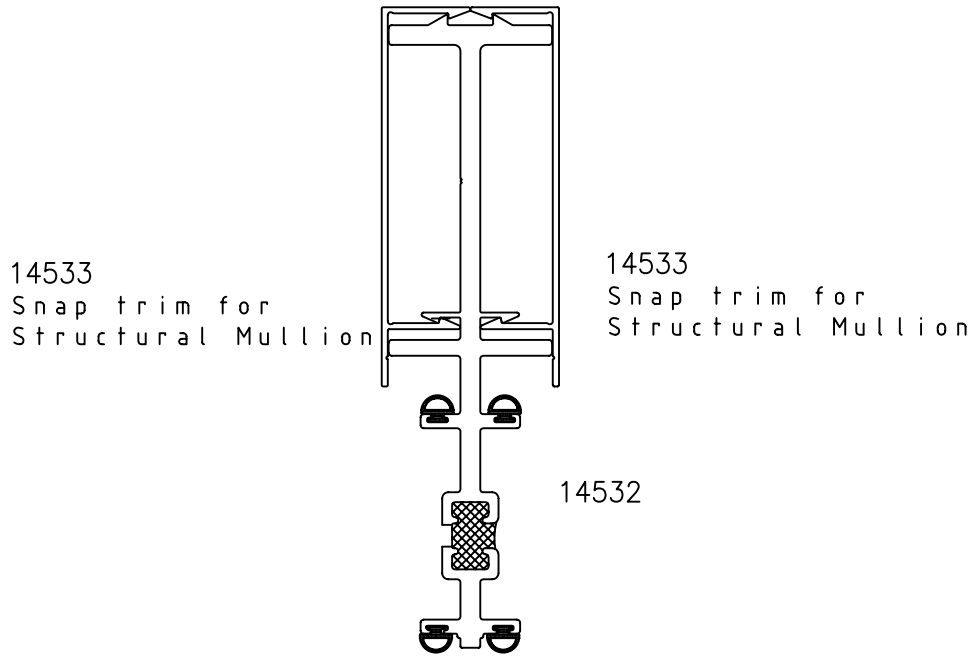
(M18) 6" Tee, Plate and cover for 4 1/8" window

C  
h  
a  
m  
p  
i  
o  
n  
  
S  
e  
r  
i  
e  
s  
  
3  
  
P  
C  
  
M  
u  
l  
l  
i  
o  
n

FOR ORDERING PURPOSES, REFER TO THE CAP AS: A  
THE PRESSURE PLATE AS: B, AND THE MULLION AS: C

# Champion Structural Mullion w/Snap trim

SCALE: HALF



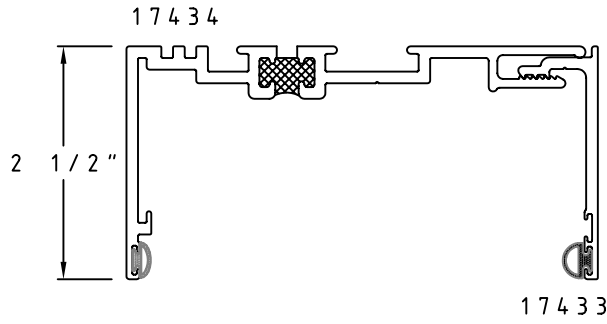
(M19)

Structural Mullion w/Snap trim  
For 2½" window

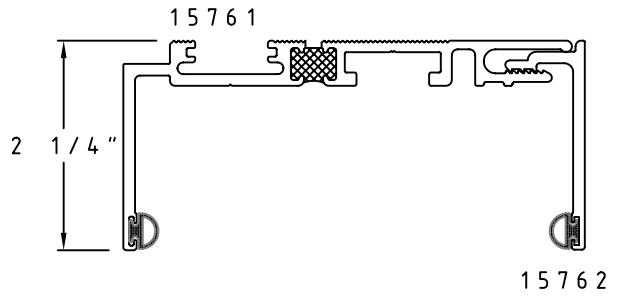
# Champion Receptor/Sub Sill

SCALE: HALF

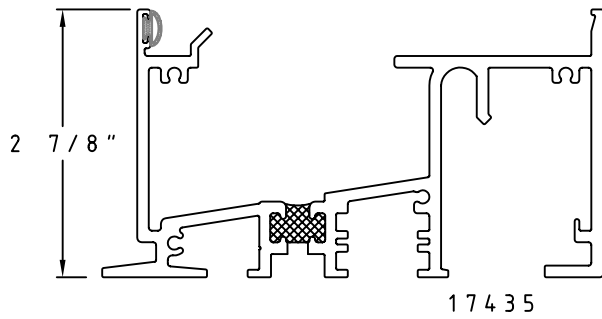
Sheet 1 of 5



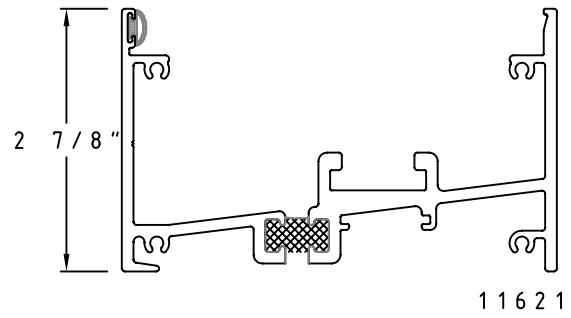
(R10) 4 1/2" Receptor



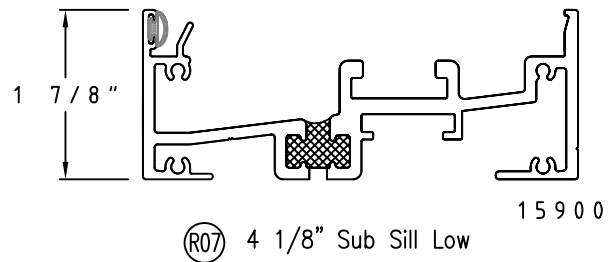
(R01) 4 1/8" Receptor



(R11) 4 1/2" Sub Sill



(R04) 4 1/8" Sub Sill



(R07) 4 1/8" Sub Sill Low

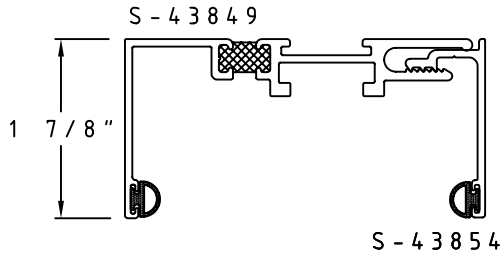
C  
h  
a  
m  
p  
i  
o  
n  
  
R  
e  
c  
e  
p  
t  
o  
r  
  
/  
  
S  
u  
b  
  
S  
i  
l  
l



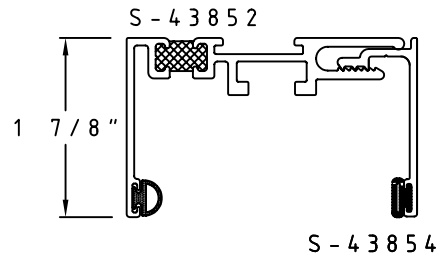
# Champion Receptor/Sub Sill

SCALE: HALF

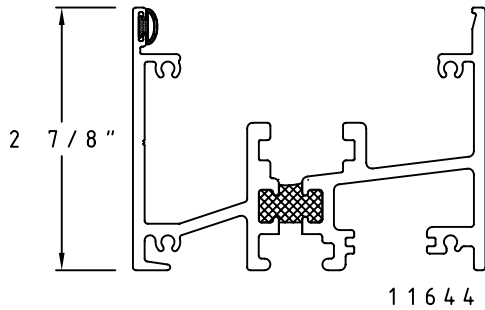
Sheet 2 of 5



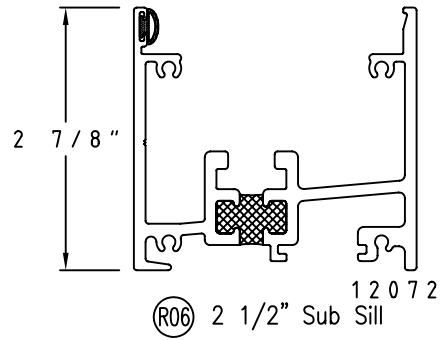
(R02) 3 1/4" Receptor



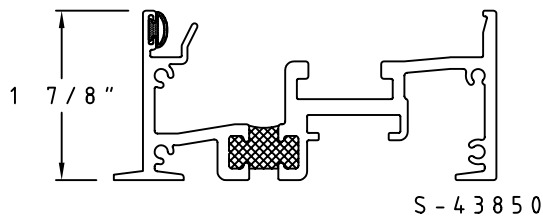
(R03) 2 1/2" Receptor



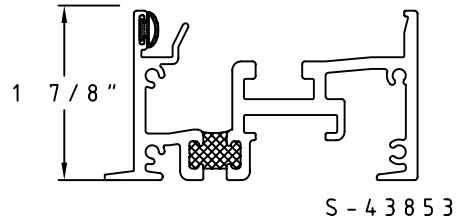
(R05) 3 1/4" Sub Sill



(R06) 2 1/2" Sub Sill



(R08) 3 1/4" Sub Sill Low



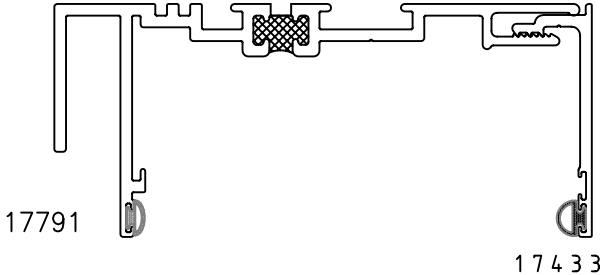
(R09) 2 1/2" Sub Sill Low

C  
h  
a  
m  
p  
i  
o  
n  
  
R  
e  
c  
e  
p  
t  
o  
r  
  
/  
  
S  
u  
b  
  
S  
i  
l  
l

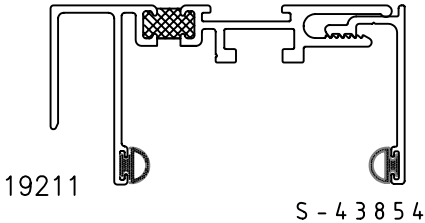
# Champion Receptor/Sub Sill

SCALE: HALF

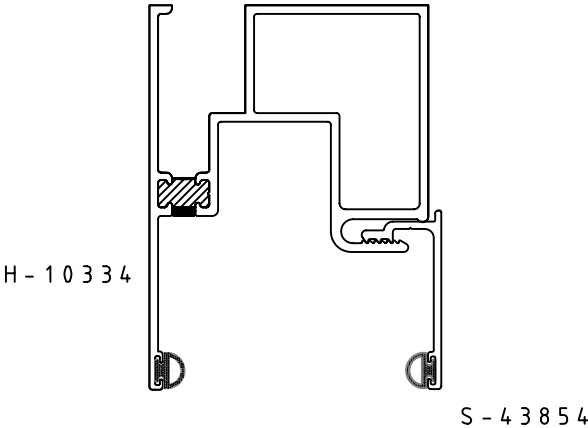
Sheet 3 of 5



(R12) 4 1/2" Receptor w/Slab cover Leg



(R13) 2 1/2" Receptor w/Slab Cover Leg



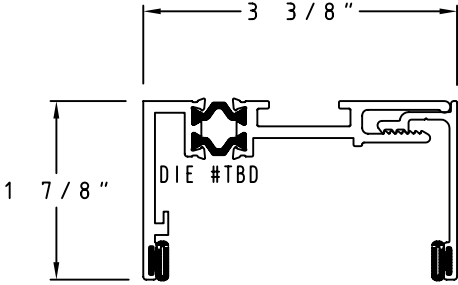
(R14) 2 1/2" Receptor Extended Jamb

C  
h  
a  
m  
p  
i  
o  
n  
  
R  
e  
c  
e  
p  
t  
o  
r  
  
/  
  
S  
u  
b  
  
S  
i  
l  
l

# Champion Receptor/Sub Sill

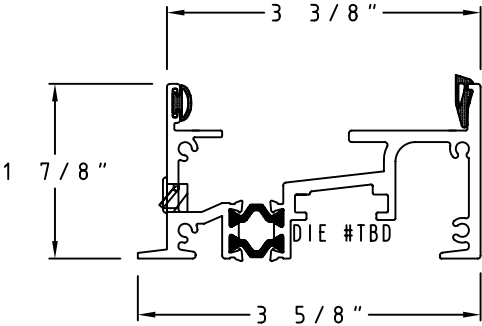
SCALE: HALF

Sheet 3 of 5



S - 4 3 8 5 4

(R15) 2 7/8" Receptor



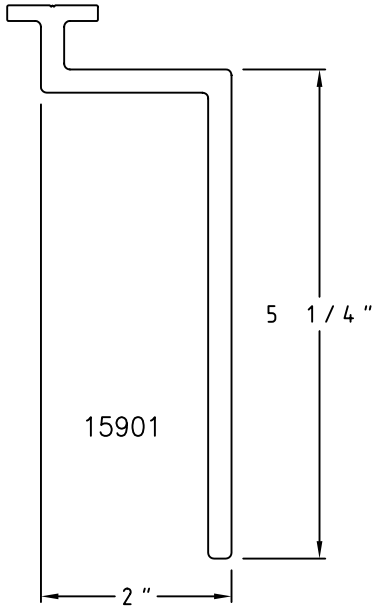
(R16) 2 7/8" Sub Sill

C  
h  
a  
m  
p  
i  
o  
n  
  
R  
e  
c  
e  
p  
t  
o  
r  
  
/  
  
S  
u  
b  
  
S  
i  
l  
l

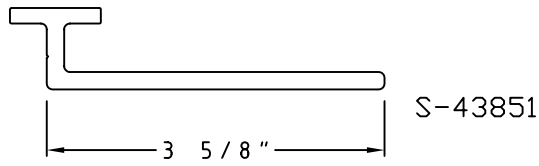
# Champion Receptor/Sub Sill Slide In Anchors

Sheet 5 of 5

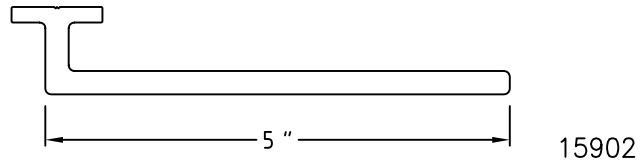
SCALE: HALF



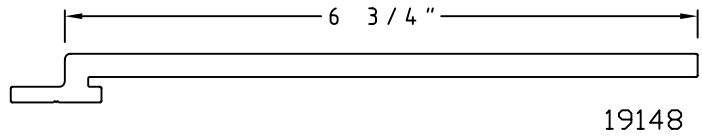
(R17) Sub Sill "L" Shape  
2" x 5 1/4"  
Use on R07, R08, R09, R11, R16



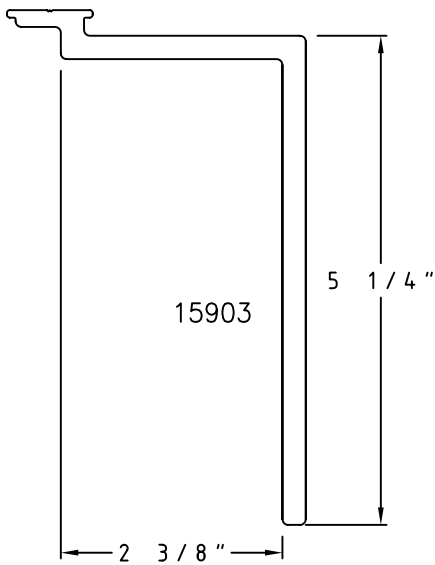
(R19) Sub Sill Anchor 3 5/8"  
Use on R07, R08, R09, R11, R16



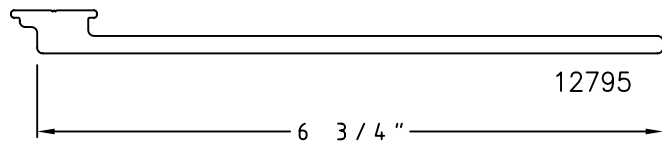
(R20) Sub Sill Anchor 5"  
Use on R07, R08, R09, R11, R16



(R21) 4 1/2" Receptor Slide In Anchor  
Use on R10, R12, R15



(R18) Sub Sill Projected "L" Shape  
2 3/8" x 5 1/4"  
Use on R05, R06

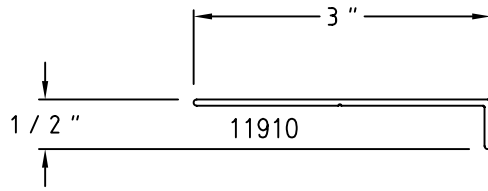


(R22) Receptor Projected Slide In Anchor  
Use on R10, R12

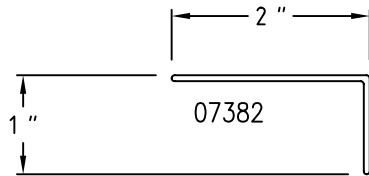
Champion Receptor / Sub Sill Anchors

# Champion Stool Covers/Sill Covers

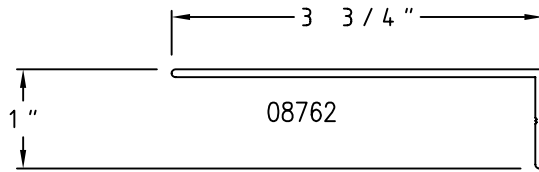
SCALE: HALF



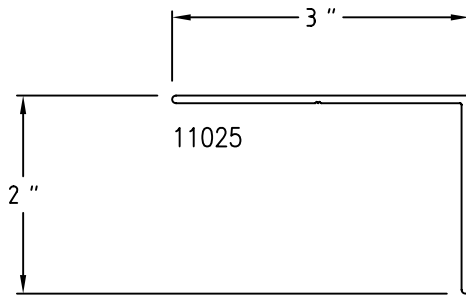
SC1 1/2" x 3" x 0.062" Stool Cover



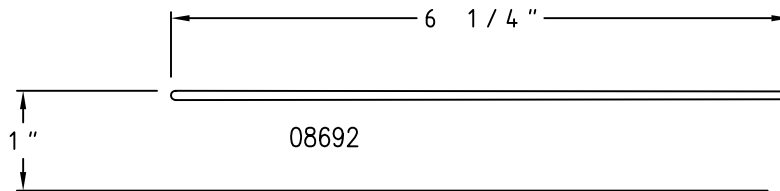
SC2 1" x 2" x 0.060" Stool Cover



SC3 1" x 3 3/4" x 0.078" Stool Cover



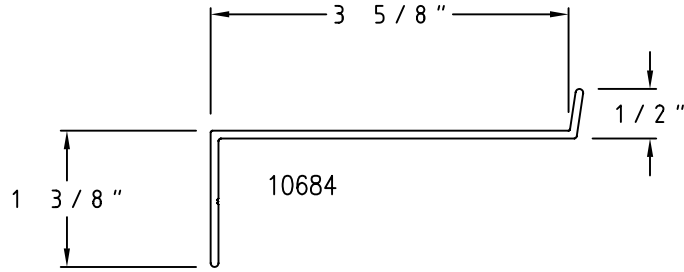
SC4 2" x 3" x 0.078" Stool Cover



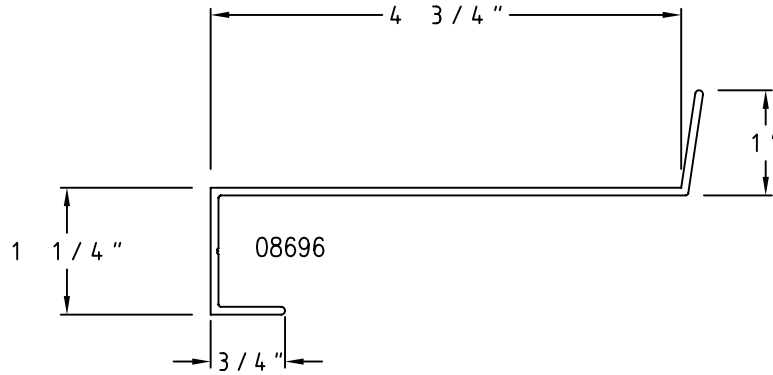
SC5 1" x 6 1/4" x 0.078" Stool Cover

# Champion Stool Covers/Sill Covers

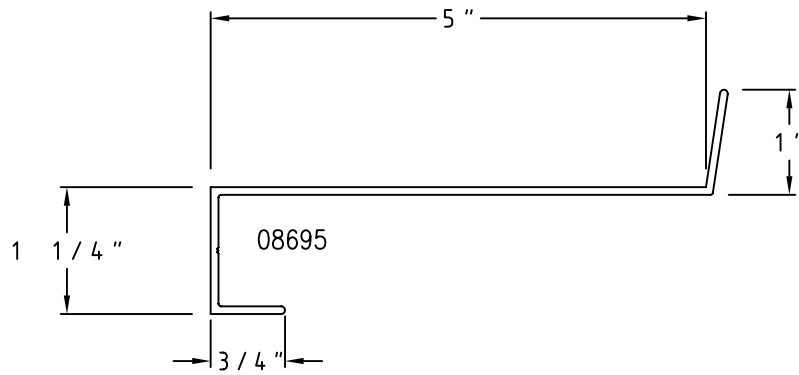
SCALE: HALF



SC6  $1 \frac{3}{8}$ " x  $3 \frac{5}{8}$ " x 0.078" Sill Cover



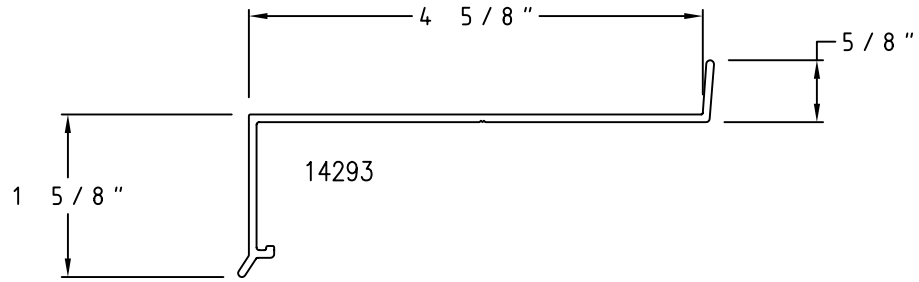
SC7  $1 \frac{1}{4}$ " x  $4 \frac{3}{4}$ " x 0.078" Sill Cover



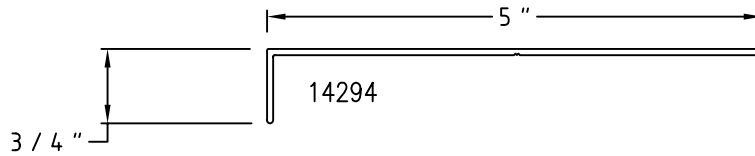
SC8  $1 \frac{1}{4}$ " x 5" x 0.078" Sill Cover

# Champion Stool Covers/Sill Covers

SCALE: HALF



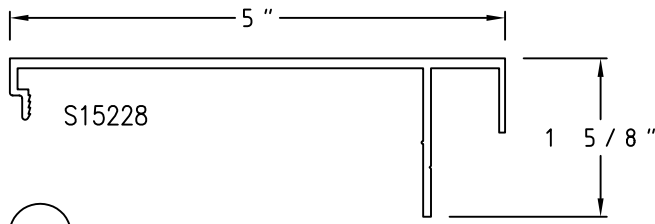
ⓈC9 1 5/8" x 4 5/8" x 0.078" Sill Cover



ⓈC10 3/4" x 5" x 0.062" Stool Cover

# Champion Stool Covers/Sill Covers

SCALE: HALF

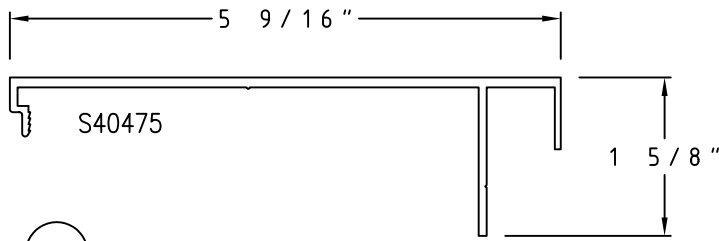


(SC11) 1 5/8" x 5" x 0.125" Stool Cover

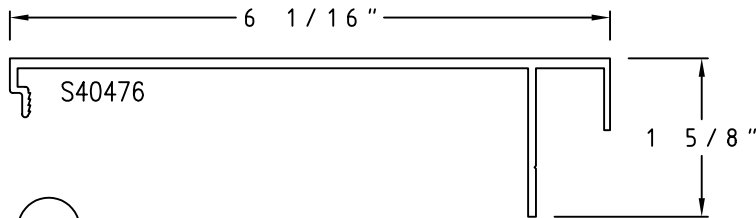


S40472

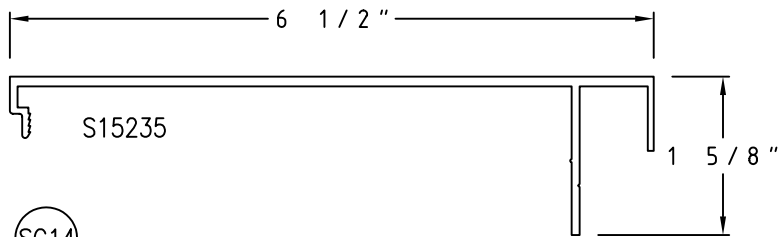
(SC17) STOOL CLIP



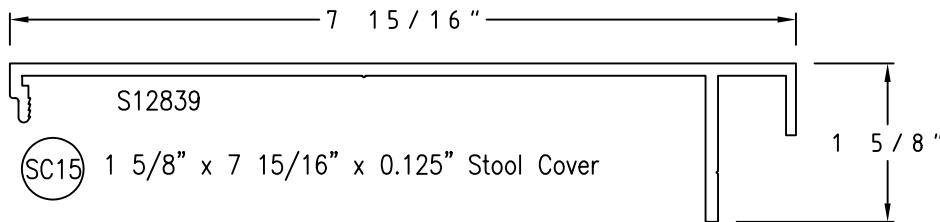
(SC12) 1 5/8" x 5 9/16" x 0.125" Stool Cover



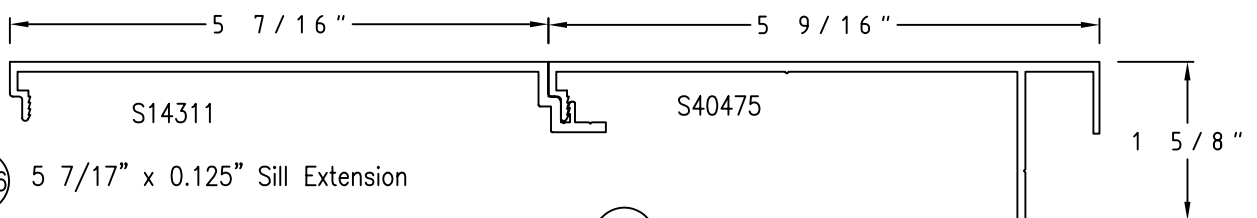
(SC13) 1 5/8" x 6 1/16" x 0.125" Stool Cover



(SC14) 1 5/8" x 6 1/2" x 0.125" Stool Cover



(SC15) 1 5/8" x 7 15/16" x 0.125" Stool Cover



(SC16) 5 7/16" x 0.125" Sill Extension

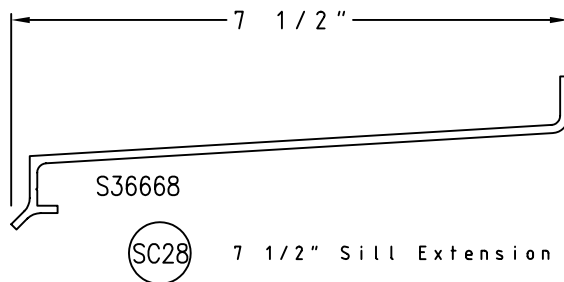
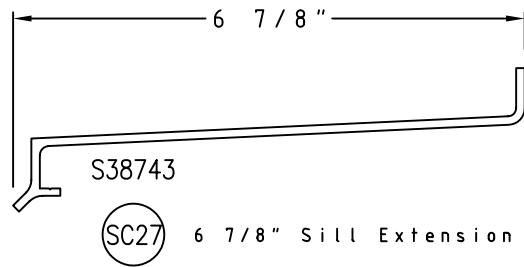
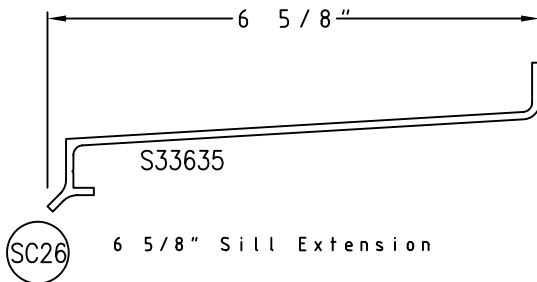
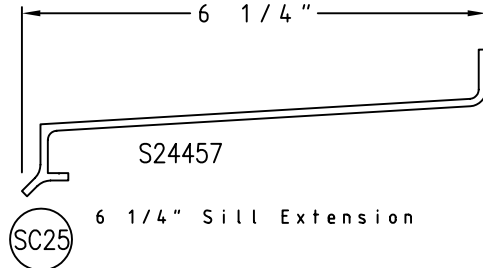
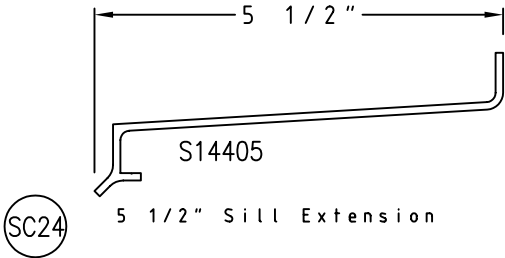
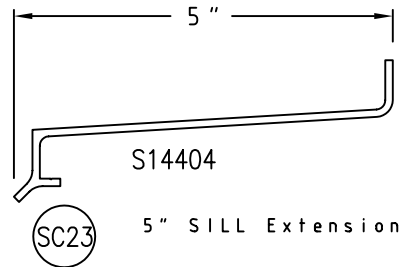
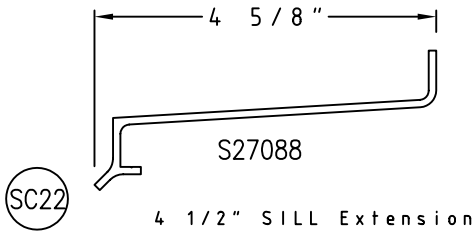
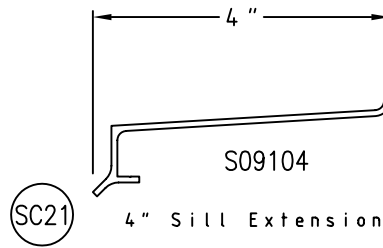
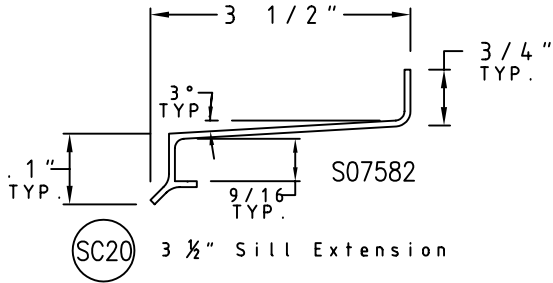
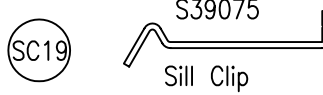
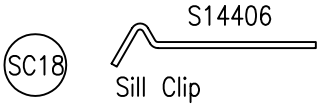
(SC12) 1 5/8" x 5 9/16" x 0.125" Stool Cover



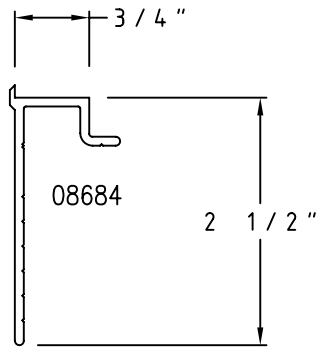
# Champion Stool Covers/Sill Covers

SCALE: HALF

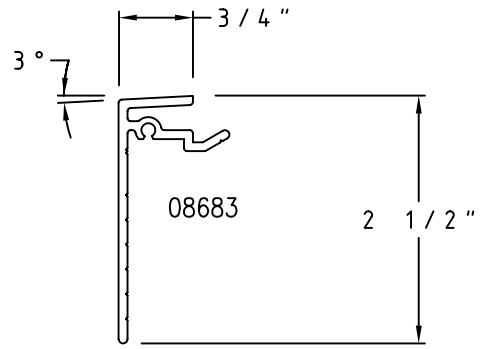
Sheet 5 of 5



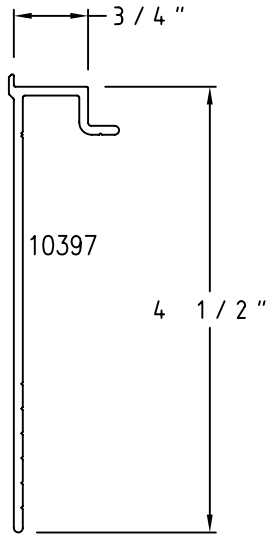
Champion Stool Covers / Sill Covers



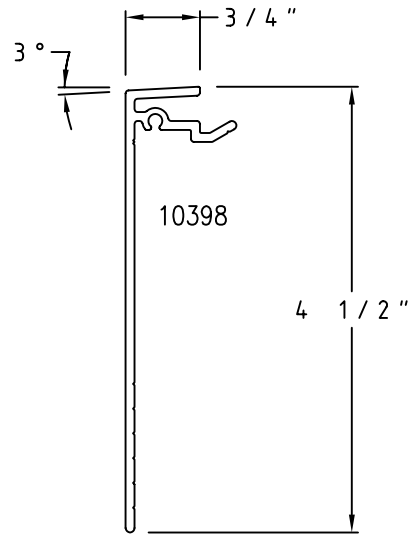
(P01) 3/4" x 2 1/2" Jamb



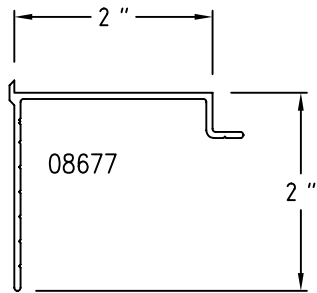
(P04) 3/4" x 2 1/2" Head/Sill



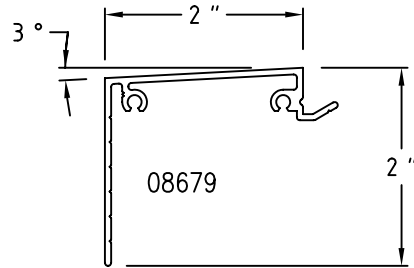
(P02) 3/4" x 4 1/2" Jamb



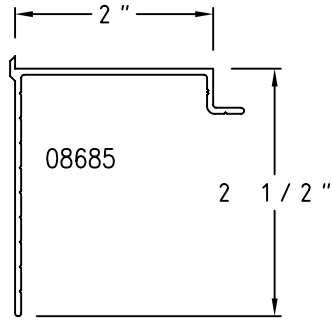
(P05) 3/4" x 4 1/2" Head/Sill



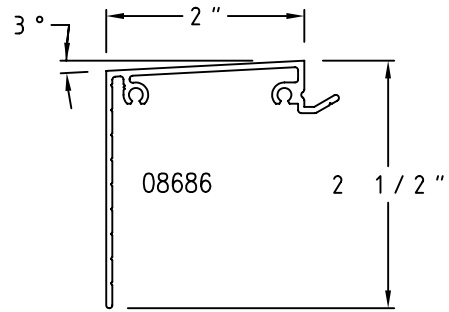
(P03) 2" x 2" Jamb



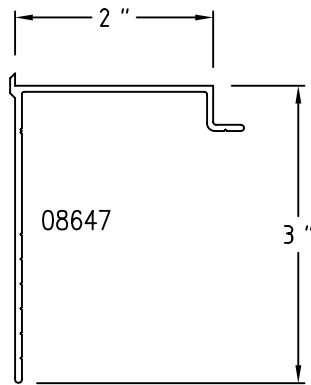
(P06) 2" x 2" Head/Sill



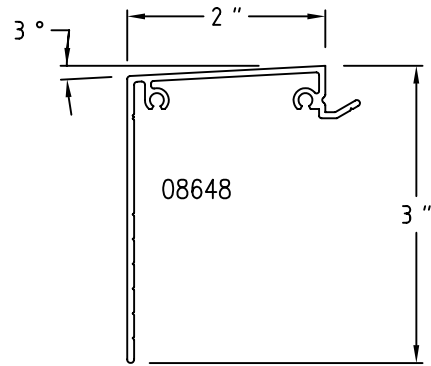
(P07) 2" x 2 1/2" Jamb



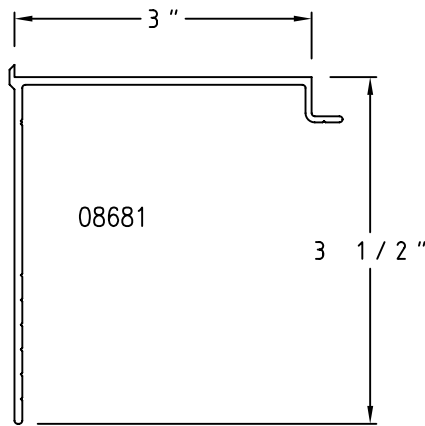
(P10) 2" x 2 1/2" Head/Sill



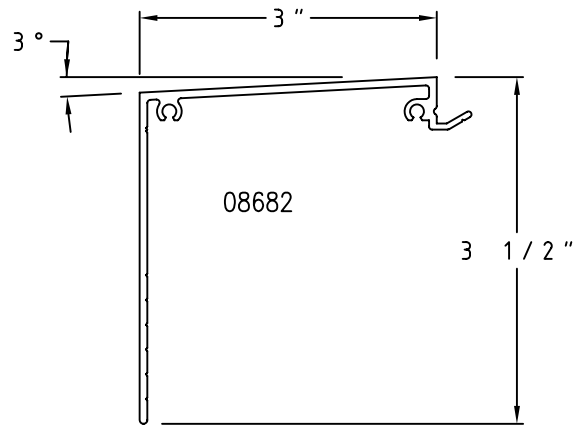
(P08) 2" x 3" Jamb



(P11) 2" x 3" Head/Sill

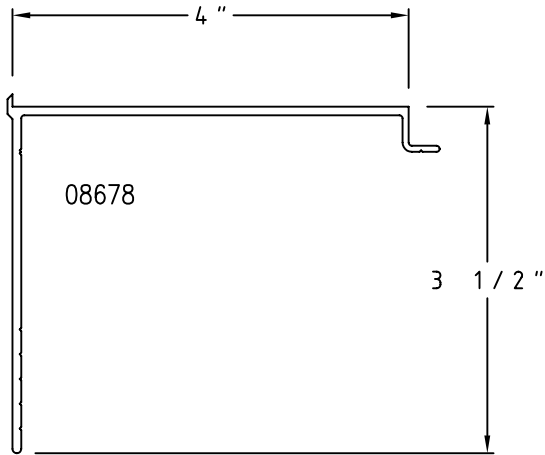


(P09) 3" x 3 1/2" Jamb

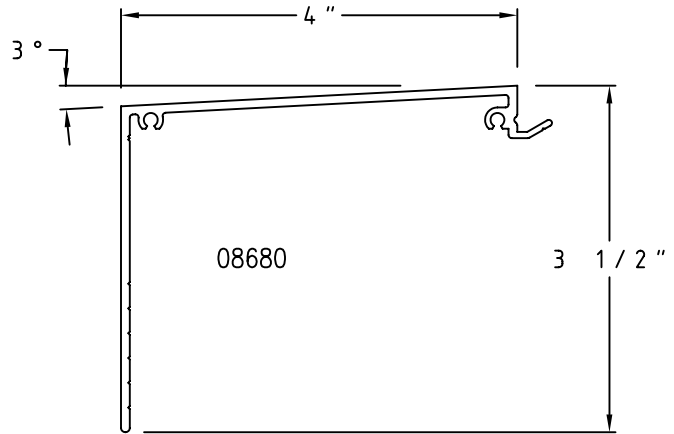


(P12) 3" x 3 1/2" Head/Sill

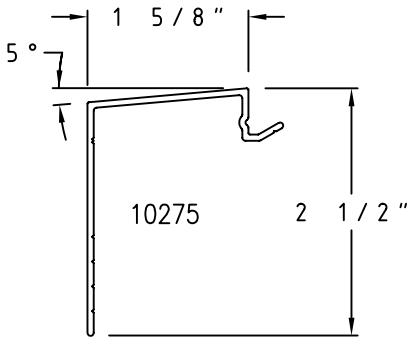
SCALE: HALF



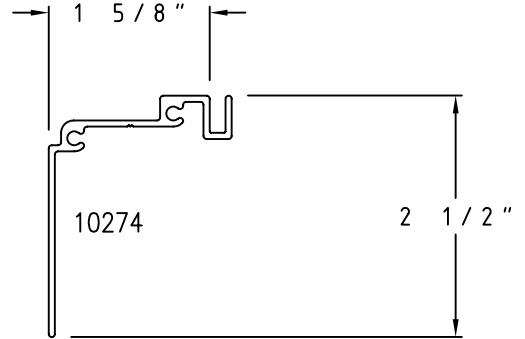
(P13) 4" x 3 1/2" Jamb



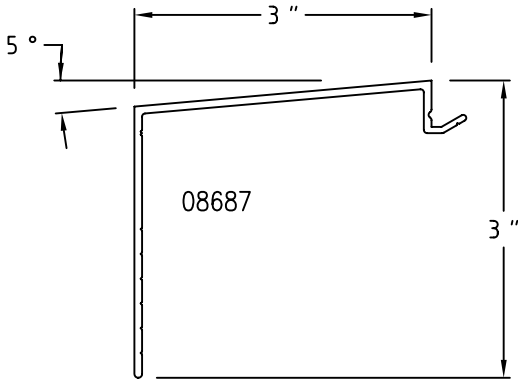
(P16) 4" x 3 1/2" Head/Sill



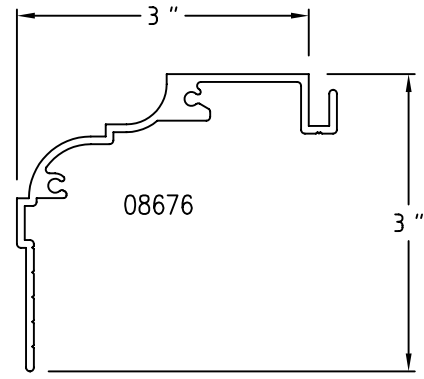
(P14) Small Landmark Sill



(P17) Small Landmark Head/Jamb

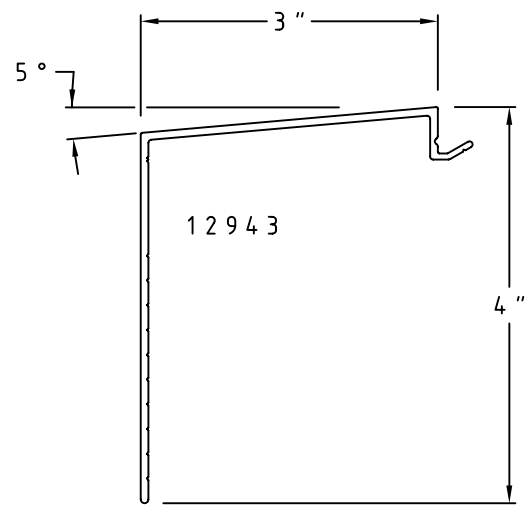


(P15) Landmark Sill

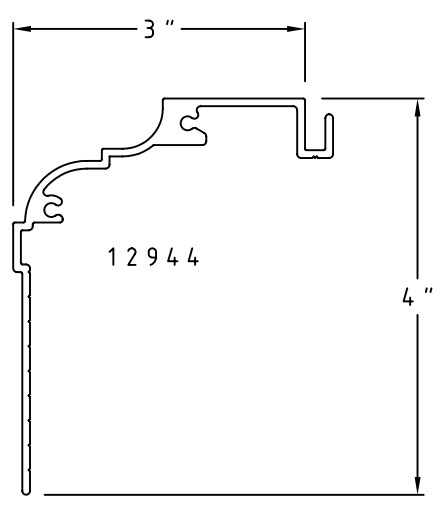


(P18) Landmark Head/Jamb

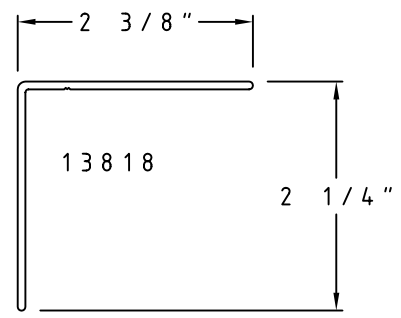
SCALE: HALF



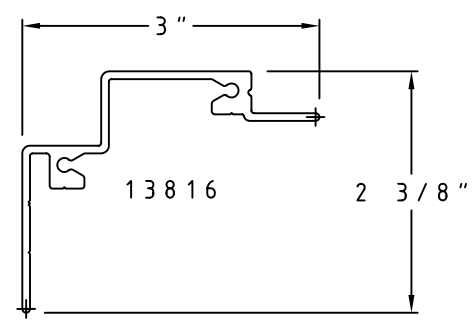
(P19) 3" x 4" Historical Sill



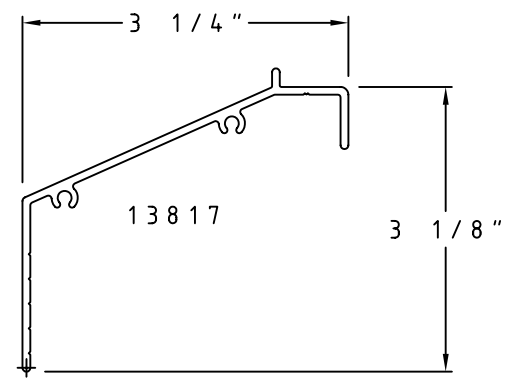
(P22) 3" x 4" Historical Head/Jamb



(P20) 2 3/8" x 2 1/4" Jamb

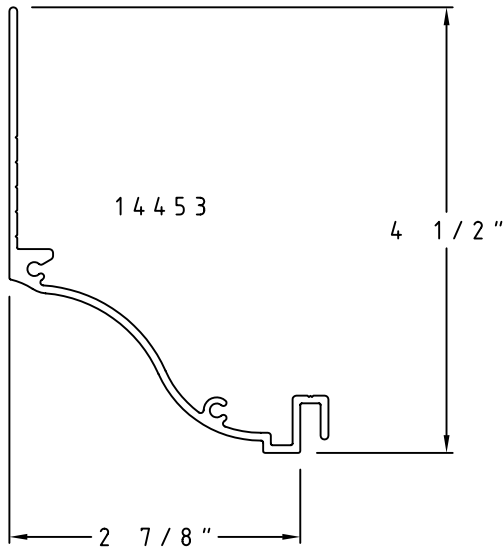


(P23) 3" x 2 3/8" Head

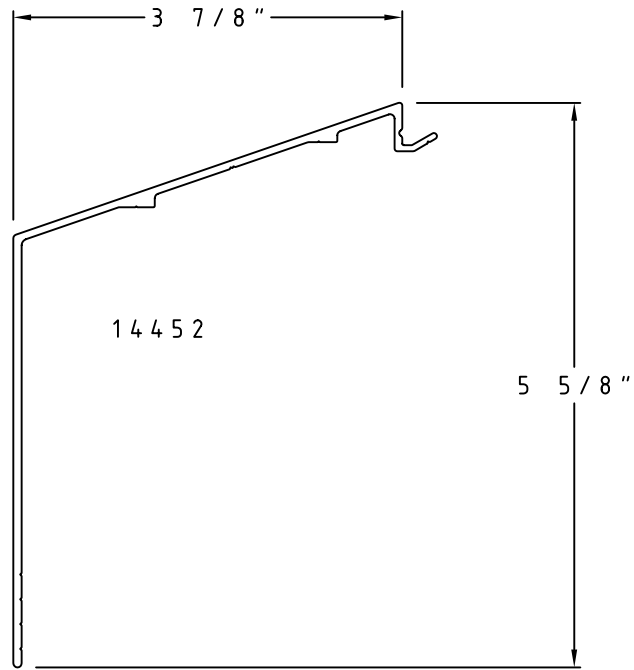


(P24) 3 1/4" x 3 1/8" Sill

SCALE: HALF



(P26) 2 7/8" x 4 1/2" Historical Head/Jamb

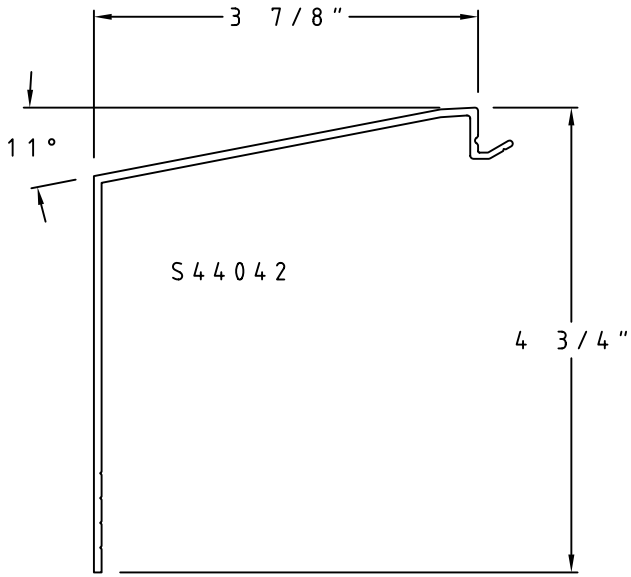


(P27) 3 7/8" x 5 5/8" Historical SILL

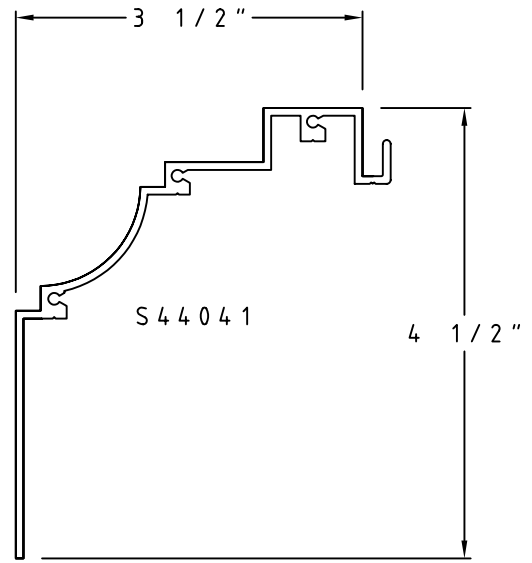
# Champion Panning

SCALE: HALF

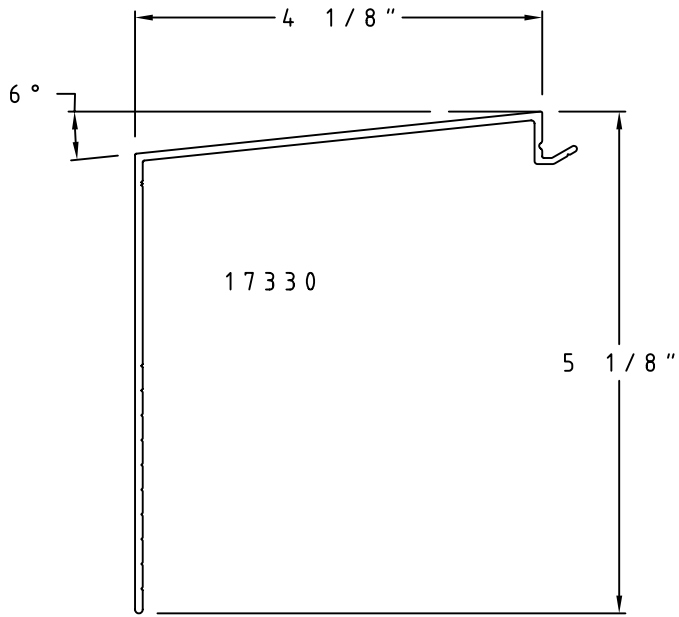
Sheet 6 of 11



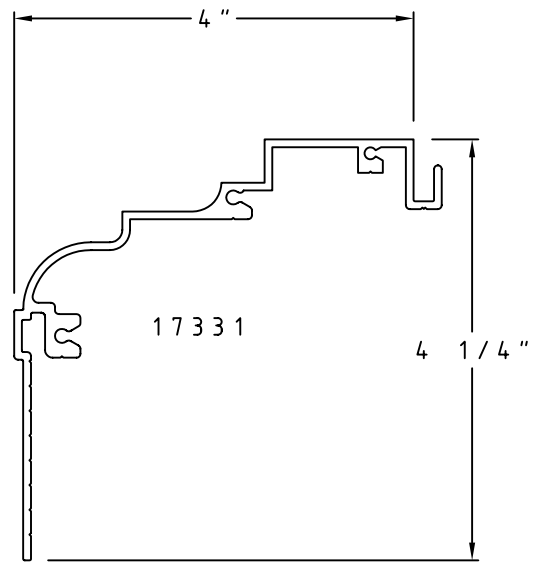
(P28) 3 7/8" x 4 3/4" SILL



(P29) 3 1/2" x 4 1/2" Head/Jamb



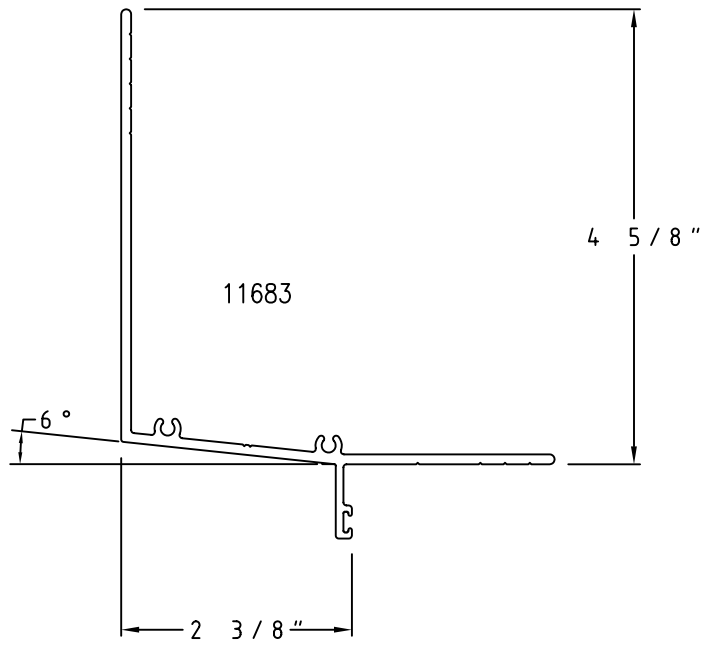
(P30) 4 1/8" x 5 1/8" SILL



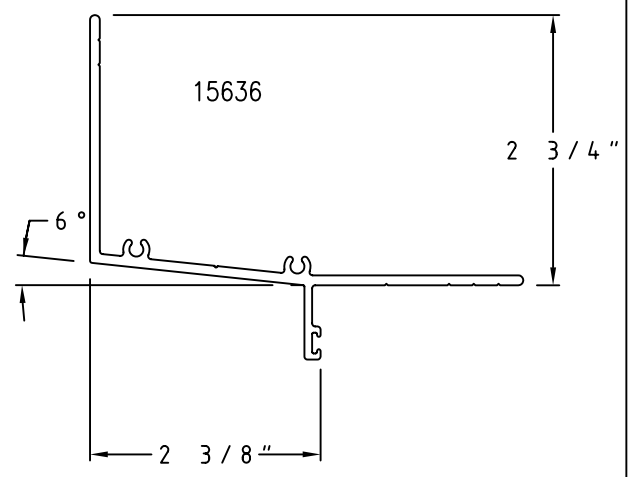
(P31) 4" x 4 1/4" Head/Jamb

C  
h  
a  
m  
p  
i  
o  
n  
P  
a  
n  
n  
i  
n  
g

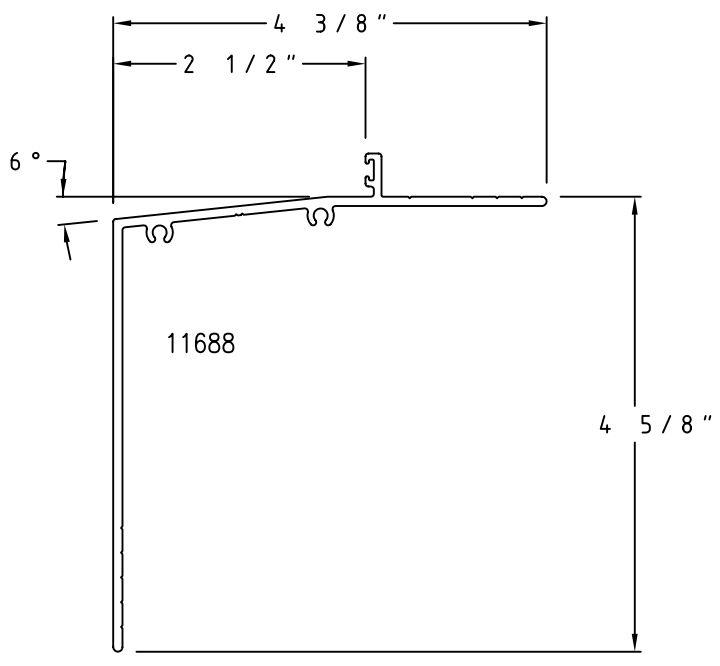
SCALE: HALF



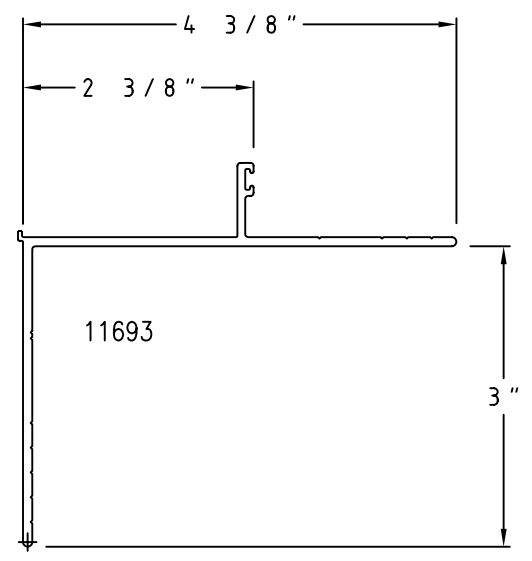
(P32) 2 3/8" x 4 5/8" Pre-Set Head



(P33) 2 3/8" x 2 3/4" Pre-sSet Head

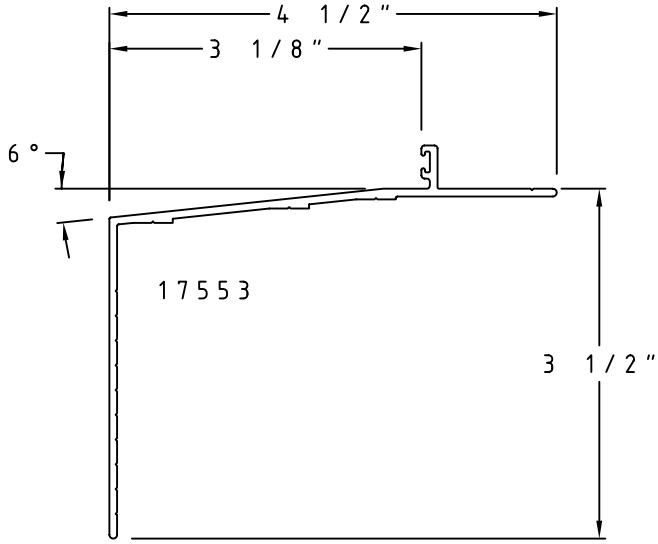


(P34) 2 1/2" x 4 5/8" Pre-Set Sill

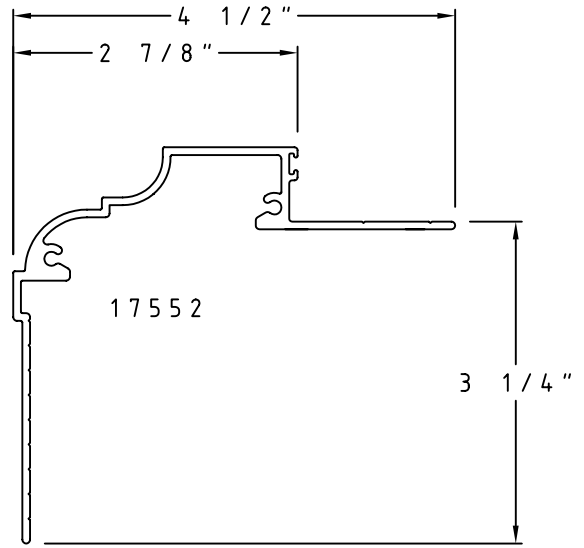


(P35) 2 3/8" x 3 1/8" Pre-set Jamb

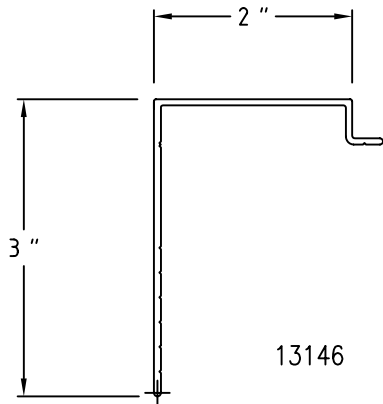




Ⓟ P36 3 1/8" x 3 1/2" SILL

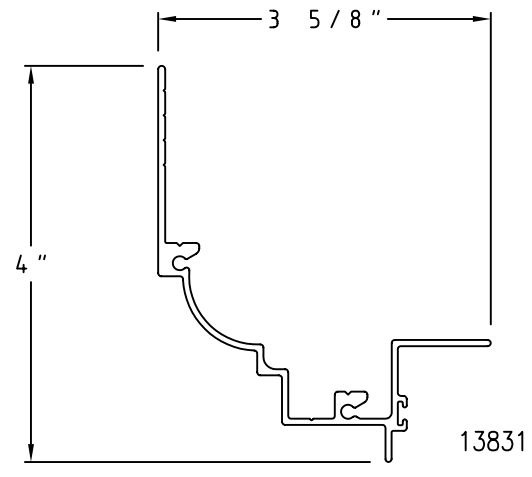


Ⓟ P37 2 7/8" x 3 1/4" Head/Jamb

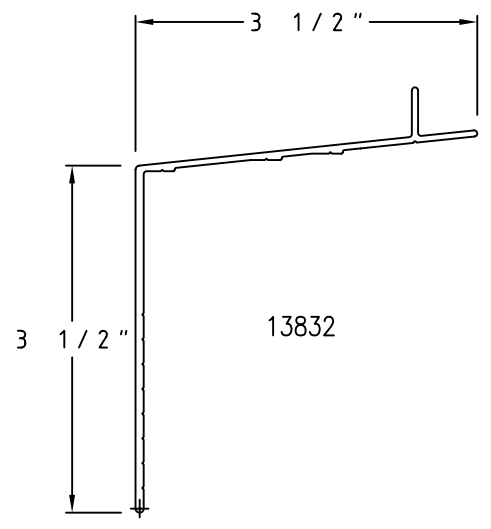


Ⓟ P38 2" x 3" Jamb New

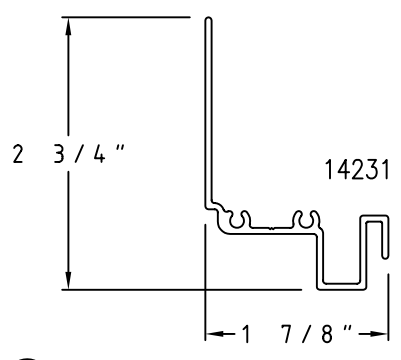
SCALE: HALF



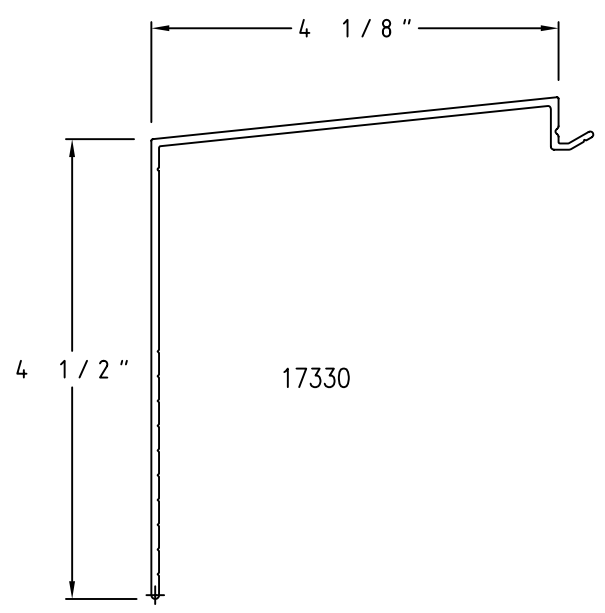
(P39) 3 5/8" x 4" Special Landmark Hd/Jamb



(P40) 3 1/2" x 3 1/2" Special Landmark Sill



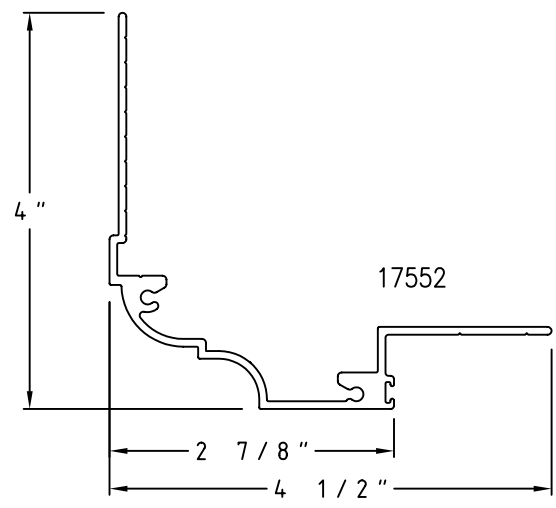
(P41) 1 7/8" x 2 3/4" Landmark Hd/Jamb



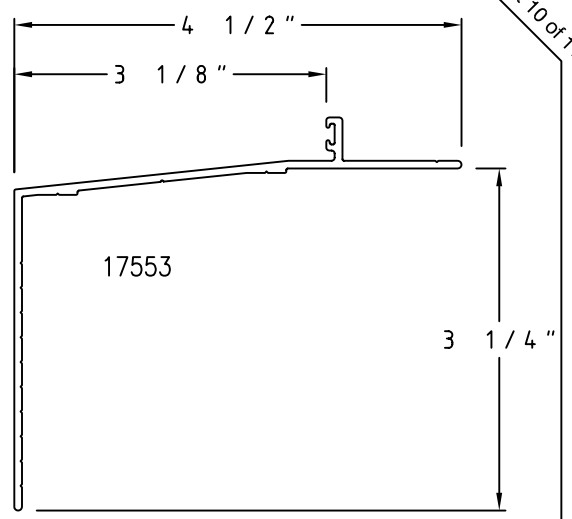
(P42) 4 1/8" x 4 1/2" Landmark Sill

# Champion Panning

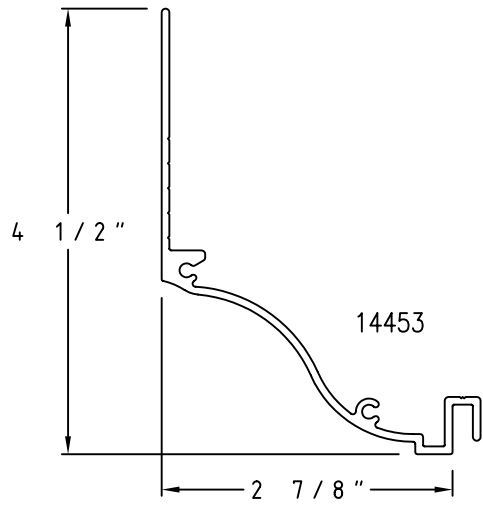
SCALE: HALF



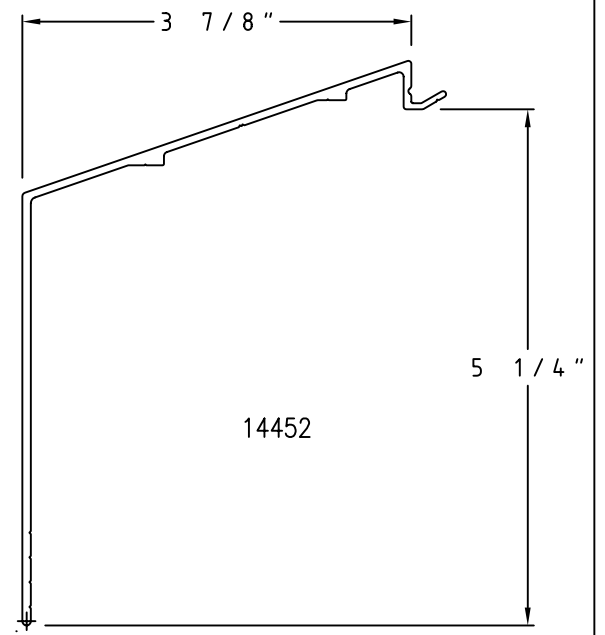
(P43) 4 1/2" x 4" Preset Head/Jamb



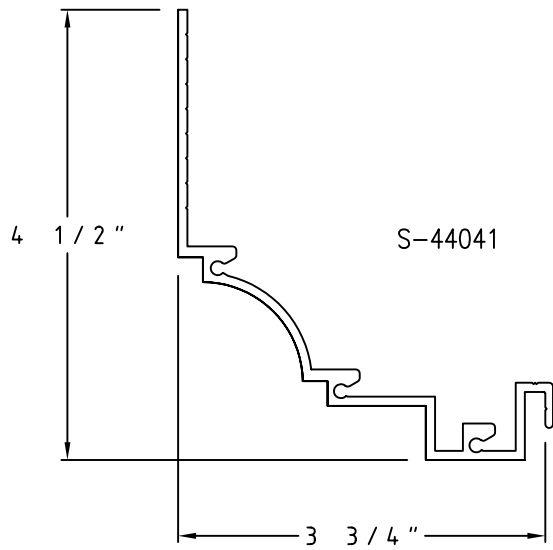
(P44) 4 1/2" x 3 1/4" Sill



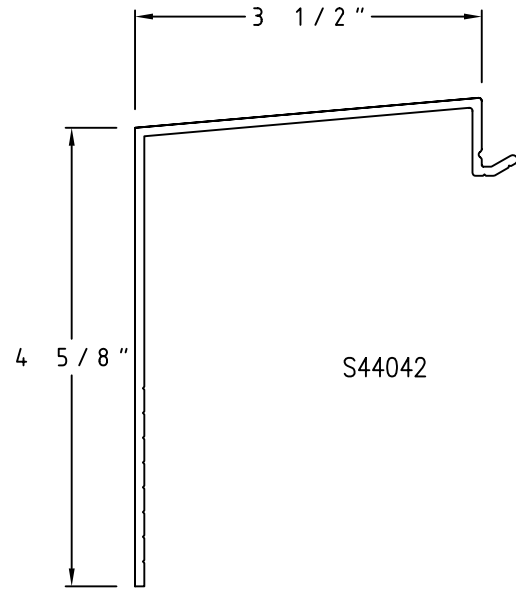
(P45) 3" x 2 3/4" Head/Jamb



(P46) 3" x 2 3/4" Head/Jamb



(P47) 3 3/4" x 4 1/2" Landmark Head/Jamb

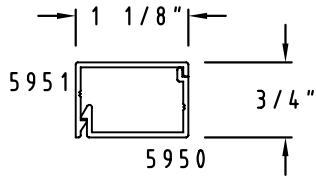


(P48) 3 1/2" x 4 5/8" Landmark Sill

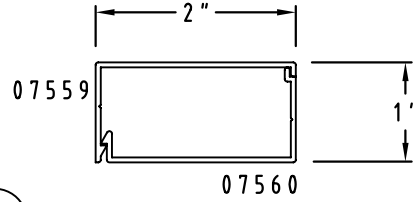
# Champion Snap Trim

SCALE: HALF

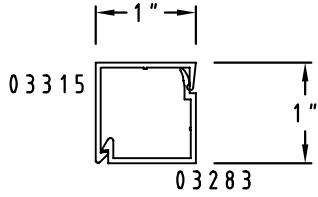
Sheet 1 of 6



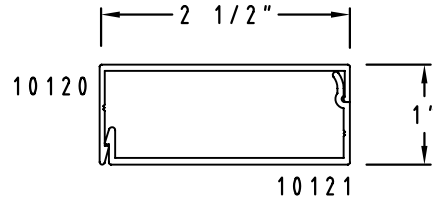
ST1 1 1/8" x 3/4"



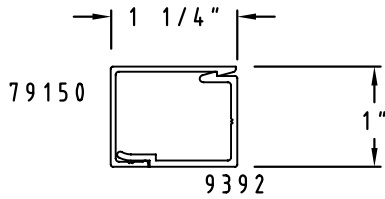
ST6 2" x 1"



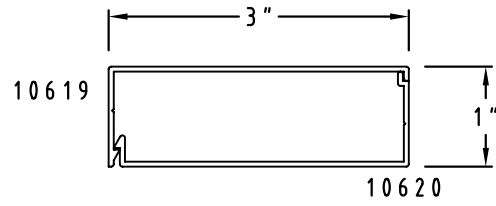
ST2 1" x 1"



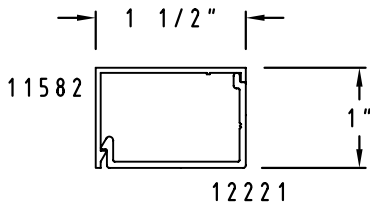
ST7 2 1/2" x 1"



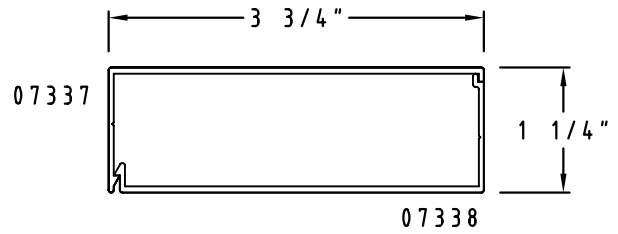
ST3 1 1/4" x 1"



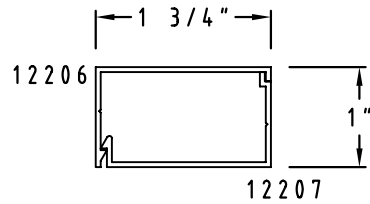
ST8 3" x 1"



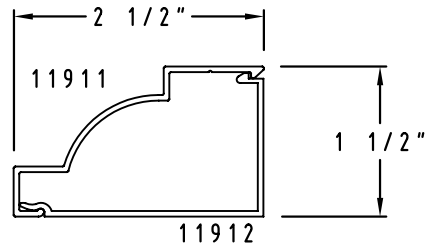
ST4 1 1/2" x 1"



ST9 3 3/4" x 1 1/4"



ST5 1 3/4" x 1"



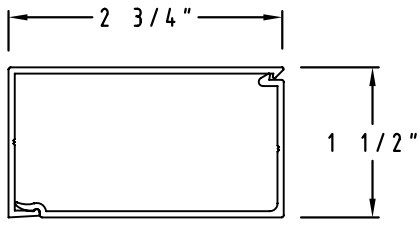
ST10 2 1/2" x 1 1/2"

Champion Snap Trim

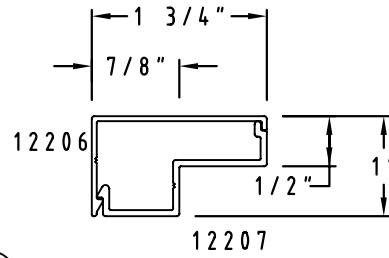
# Champion Snap Trim

SCALE: HALF

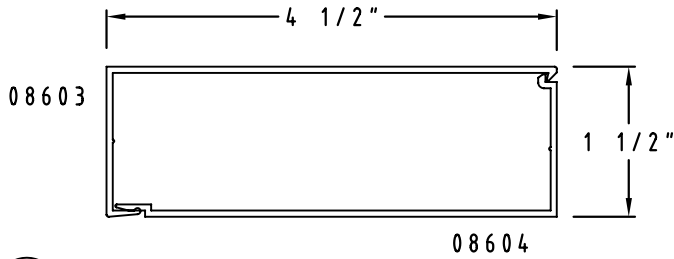
Sheet 2 of 6



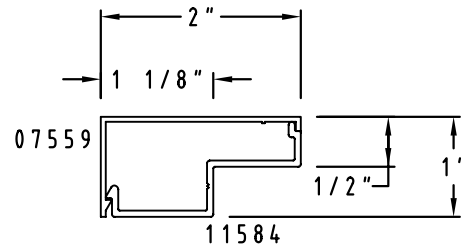
ST11 2 3/4" x 1 1/2"



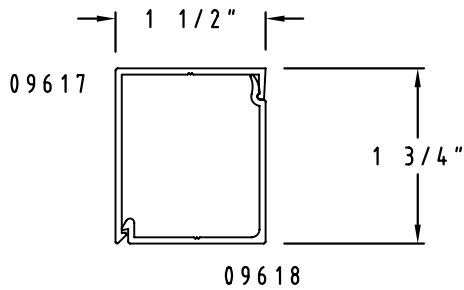
ST15 1 3/4" x 1" with Step Clip



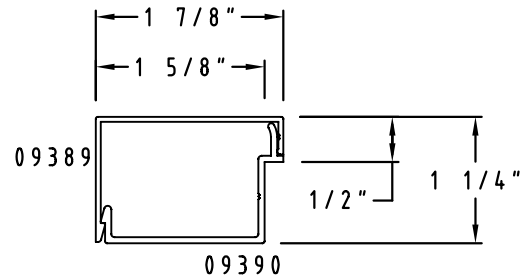
ST12 4 1/2" x 1 1/2"



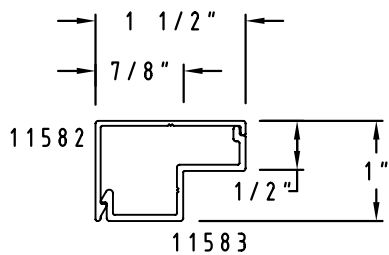
ST16 2" x 1" with Step Clip



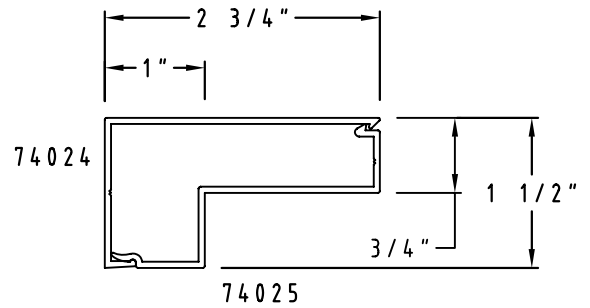
ST13 1 1/2" x 1 3/4"



ST17 1 7/8" x 1 1/4"



ST14 1 1/2" x 1" with Step Clip



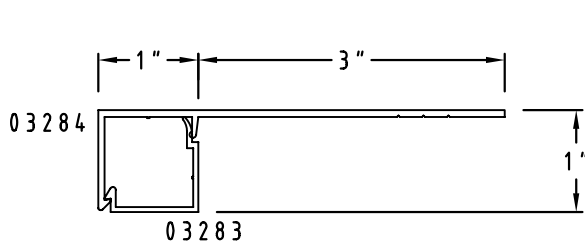
ST18 2 3/4" x 1 1/2" with Step Clip

Champion Snap Trim

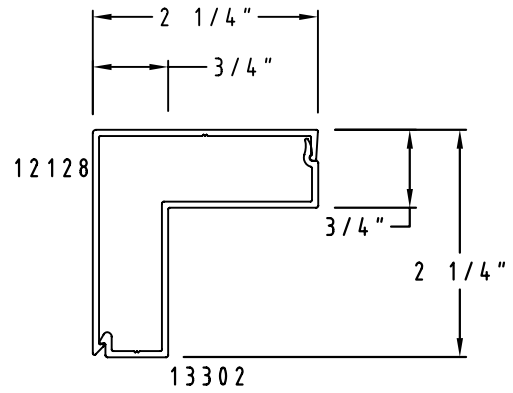
# Champion Snap Trim

SCALE: HALF

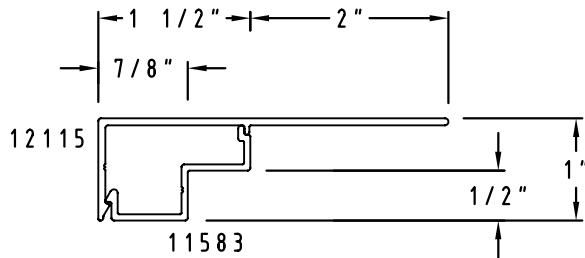
Sheet 3 of 6



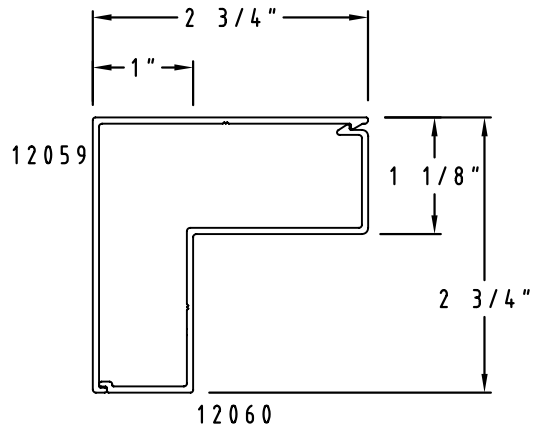
ST19 1" x 1" with 3" Leg



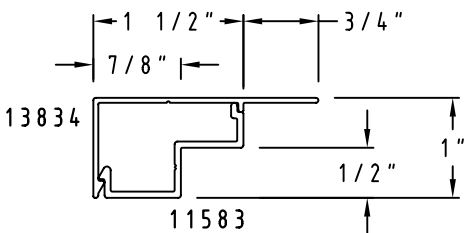
ST23 2 1/4" x 2 1/4" with Step Clip



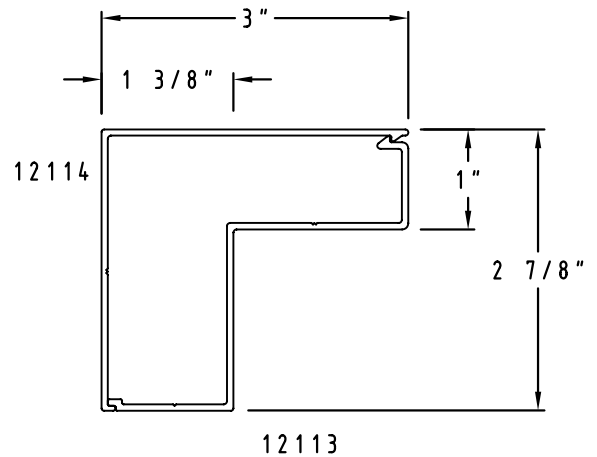
ST20 1 1/2" x 1" with 2" Leg and Step Clip



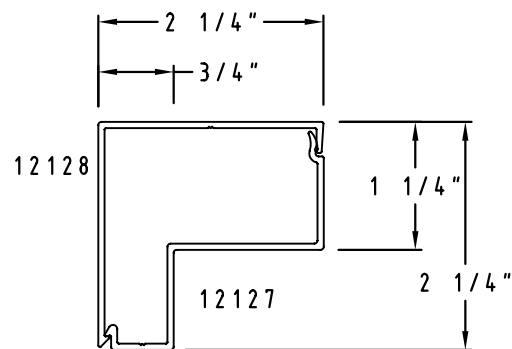
ST24 2 3/4" x 2 3/4" with Step Clip



ST21 1 1/2" x 1" with 3/4" Leg and Step Clip



ST25 3" x 2 7/8" with Step Clip



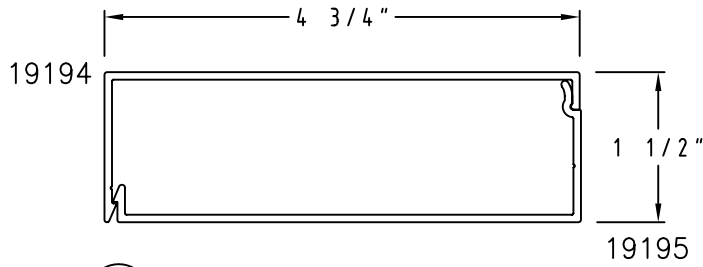
ST22 2 1/4" x 2 1/4" with Step Clip

Champion Snap Trim

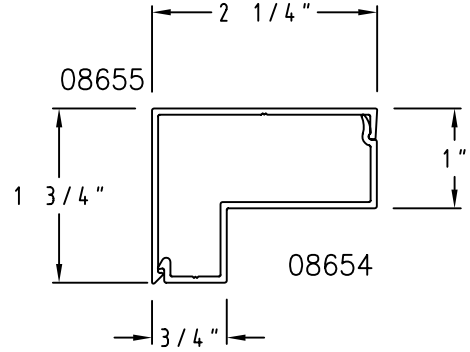
# Champion Snap Trim

SCALE: HALF

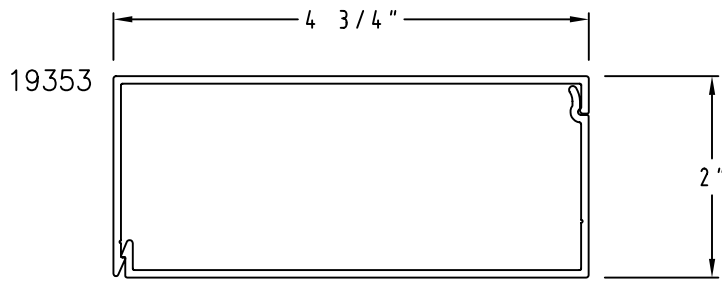
Sheet 4 of 6



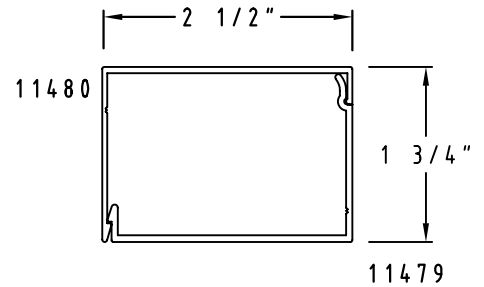
ST26 4 3/4" x 1 1/2"



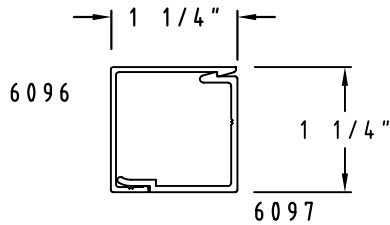
ST30 2 1/4" x 1 3/4" with Step Clip



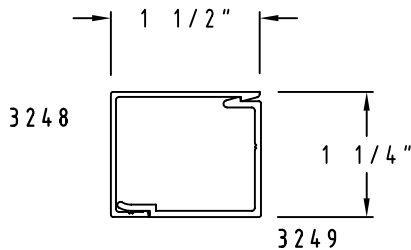
ST27 4 3/4" x 2"



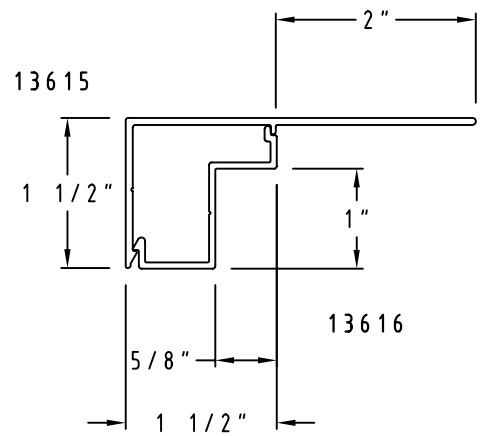
ST31 2 1/2" x 1 3/4"



ST28 1 1/4" x 1 1/4"



ST29 1 1/2" x 1 1/4"



ST32 1 1/2" x 1 1/2" with 2" Leg with Step Clip

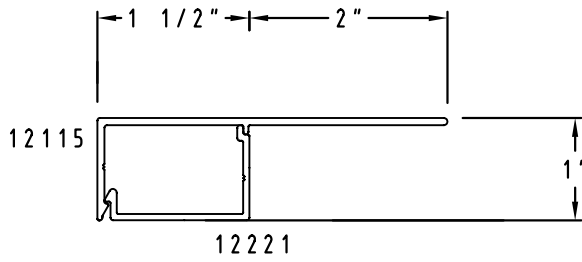
Champion Snap Trim



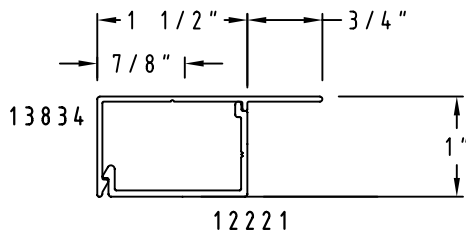
# Champion Snap Trim

SCALE: HALF

Sheet 5 of 6



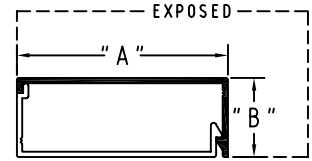
ST33 1 1/2" x 1" with 2" Leg and Regular Clip



ST34 1 1/2" x 1" with 3/4" Leg and Regular Clip

# Champion Snap Trim

SCALE: HALF  
NON-STOCK SNAP TRIM



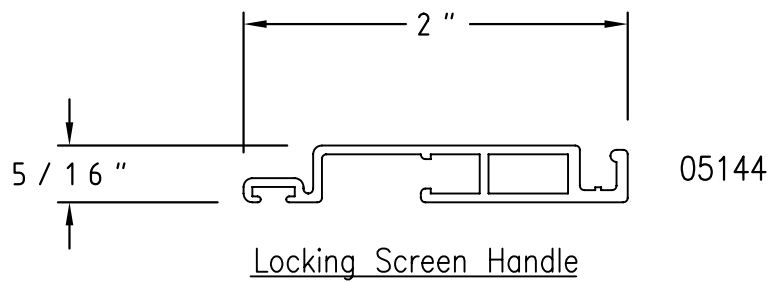
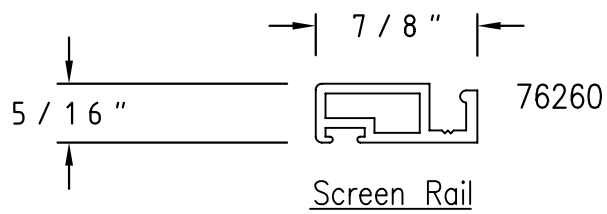
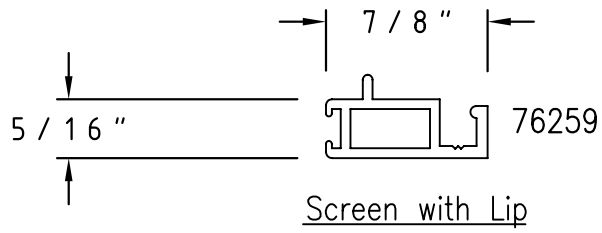
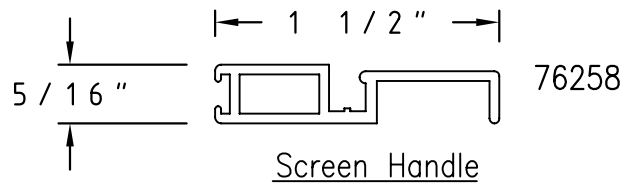
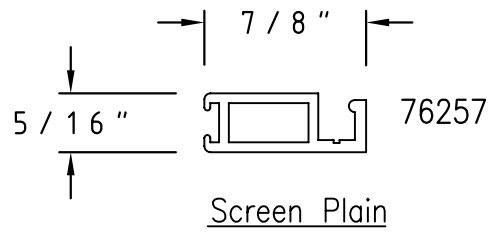
Sheet 6 of 6

"A"	"B"	"A"	"B"	"A"	"B"	"A"	"B"
1"	X 1 1/2"	1 1/4"	X 1 3/4"	1 1/2"	X 1 1/2"	1 3/4"	X 1 3/4"
1"	X 1 3/4"			1 1/2"	X 3/4"	1 3/4"	X 2 1/4"
1"	X 3 3/8"			1 1/2"	X 1 1/2"	1 3/4"	X 2 1/2"
1"	X 3 7/16"			1 1/2"	X 2 1/4"		
1"	X 3 3/4"			1 1/2"	X 2 1/2"		
1"	X 4"			1 1/2"	X 4"		
"A"	"B"	"A"	"B"	"A"	"B"	"A"	"B"
2"	X 3/4"	2 1/4"	X 1"	2 3/8"	X 1"	2 1/2"	X 3/4"
2"	X 1 3/8"	2 1/4"	X 2"			2 1/2"	X 1 1/2"
2"	X 1 1/2"					2 1/2"	X 1 3/4"
2"	X 2"						
"A"	"B"	"A"	"B"	"A"	"B"	"A"	"B"
2 3/4"	X 3/4"	2 7/8"	X 1"	3"	X 1 1/2"	3 1/4"	X 3/4"
2 3/4"	X 1 3/4"			3"	X 2"		
"A"	"B"	"A"	"B"	"A"	"B"	"A"	"B"
3 7/16"	X 7/8"	3 1/2"	X 1 1/2"	4 5/8"	X 3/4"		
3 7/16"	X 1"	3 1/2"	X 2"	4 5/8"	X 1 1/2"		
"A"	"B"	"A"	"B"	"A"	"B"	"A"	"B"

Champion Snap Trim

# Champion Series Screens

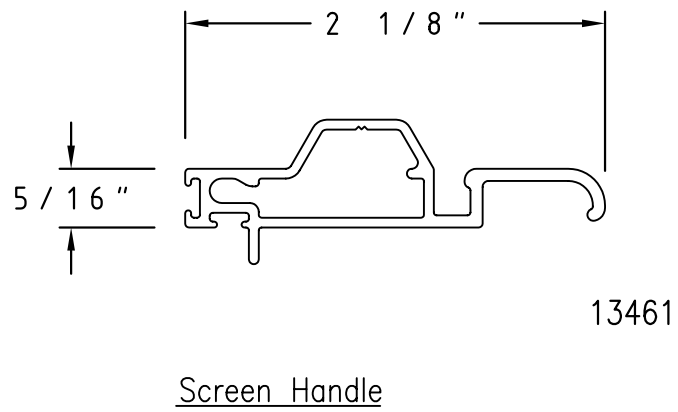
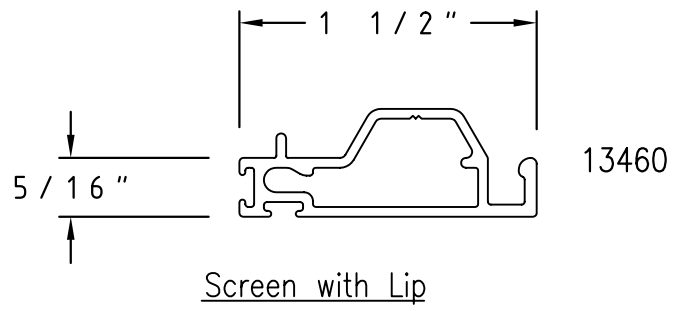
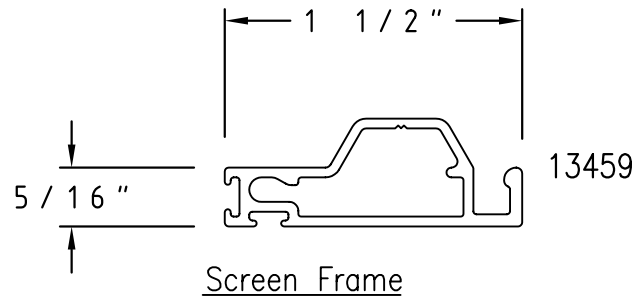
SCALE: 1:1



# Champion Series Screens

Sheet 2 of 2

SCALE: 1:1



C  
h  
a  
m  
p  
i  
o  
n  
  
S  
e  
r  
i  
e  
s  
  
S  
c  
r  
e  
e  
n  
s



## **Frame-Dependant Accessories Contents**

[2 1/2" Accessories](#)

[2 7/8" Accessories](#)

[3 1/4" Accessories](#)

[4 1/8" Accessories](#)

[4 1/2" Accessories](#)

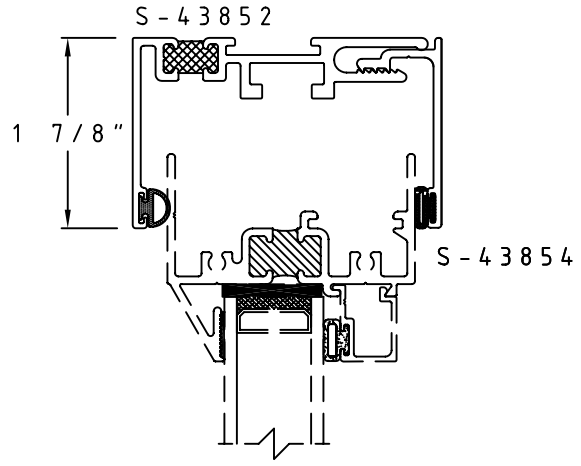
140 Eileen Way \* Syosset, NY 11791 \*T: 516-921-6200 \* Fax: 516-921-6370

[www.championwindows.com](http://www.championwindows.com)

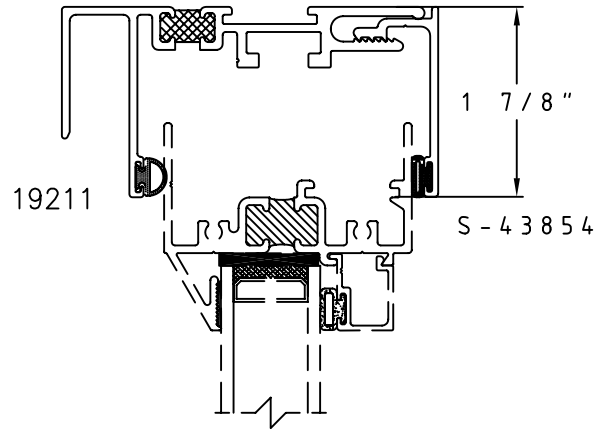
# Champion-Frame Depth Dependant Accessories-2 1/2"

SCALE: HALF

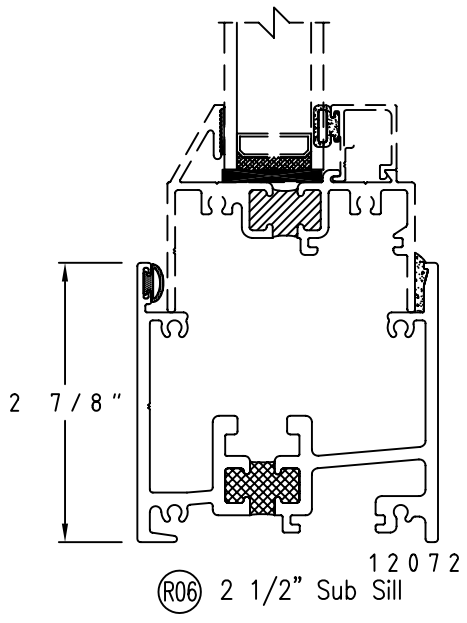
Sheet 1 of 4



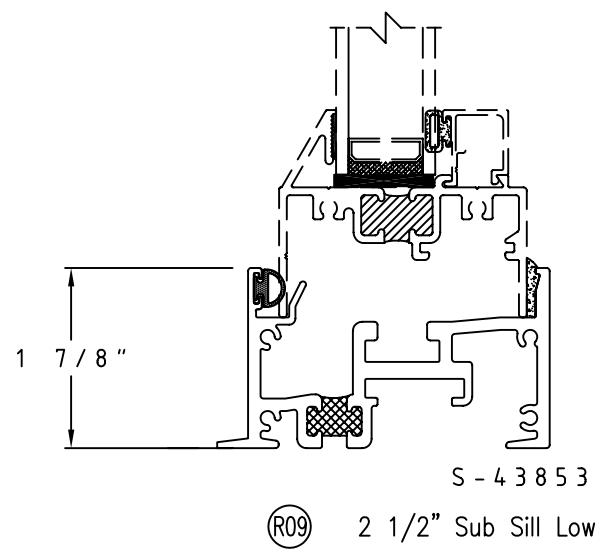
(R03) 2 1/2" Receptor



(R13) 2 1/2" Receptor w/Slab Cover Leg



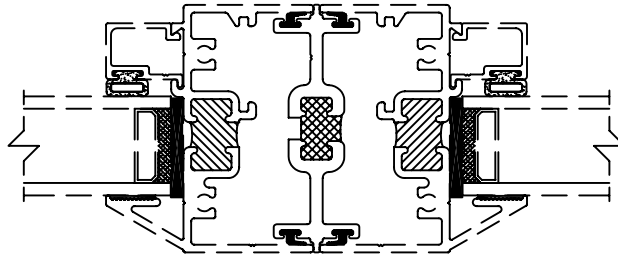
(R06) 2 1/2" Sub Sill



(R09) 2 1/2" Sub Sill Low

Champion  
Frame  
Depth  
Dependant  
Accessories

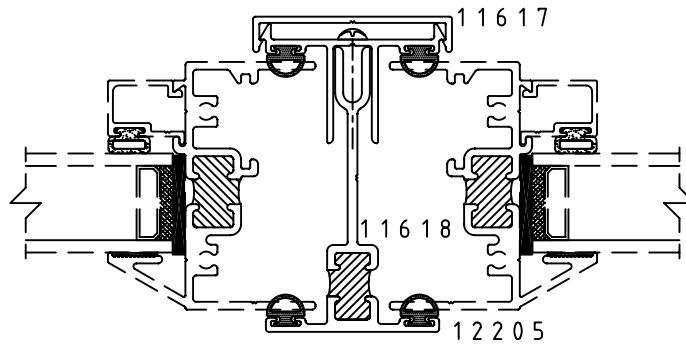
SCALE: HALF



(M20)

12073

H MULLION FOR 2 1/2" WINDOWS



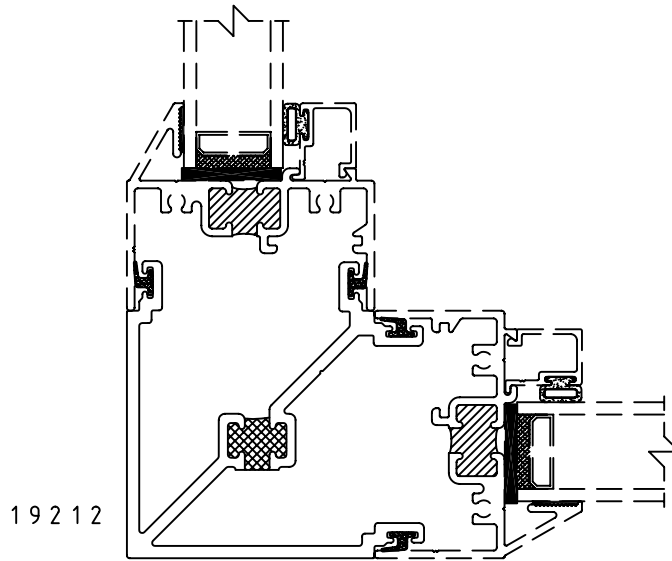
(M07)

Used for 2 1/2" Series Windows

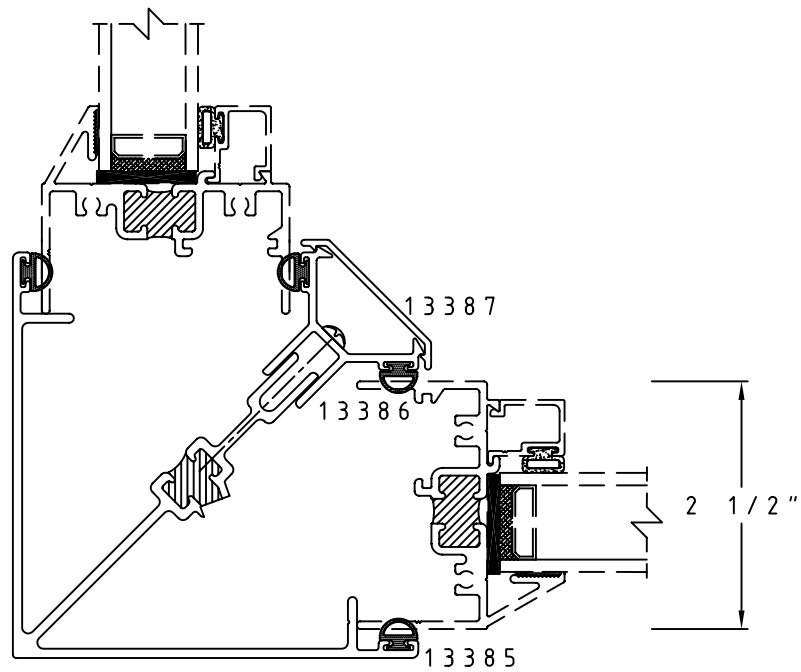
C  
h  
a  
m  
p  
i  
o  
n  
  
F  
r  
a  
m  
e  
  
D  
e  
p  
t  
h  
  
D  
e  
p  
e  
n  
d  
a  
n  
t  
  
A  
c  
c  
e  
s  
s  
o  
r  
i  
e  
s

FOR ORDERING PURPOSES, REFER TO THE CAP AS: A  
THE PRESSURE PLATE AS: B, AND THE MULLION AS: C

SCALE: HALF



(M20) Used for 2 1/2" Series Windows



(M08) Used for 2 1/2" Series Windows

FOR ORDERING PURPOSES, REFER TO THE CAP AS: A  
THE PRESSURE PLATE AS: B, AND THE MULLION AS: C

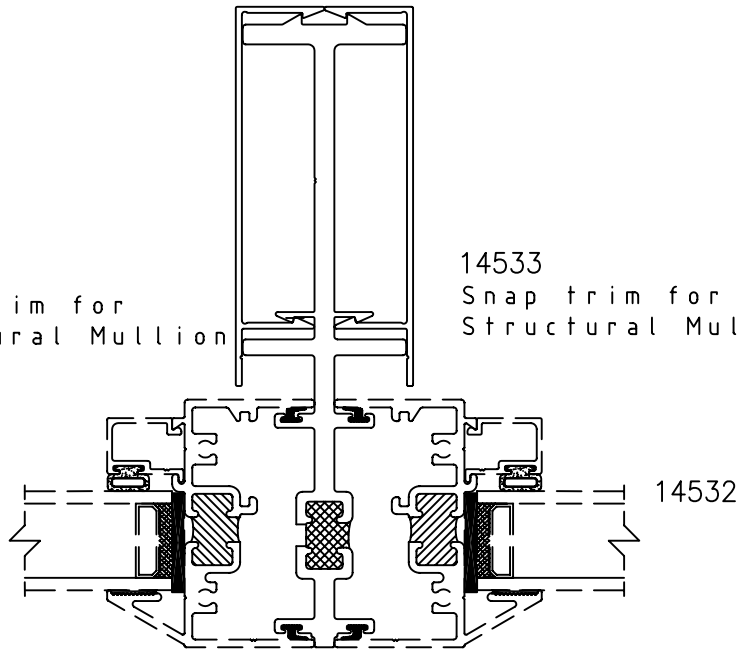
C  
h  
a  
m  
p  
i  
o  
n  
  
F  
r  
a  
m  
e  
  
D  
e  
p  
t  
h  
  
D  
e  
p  
e  
n  
d  
a  
n  
t  
  
A  
c  
c  
e  
s  
s  
o  
r  
i  
e  
s



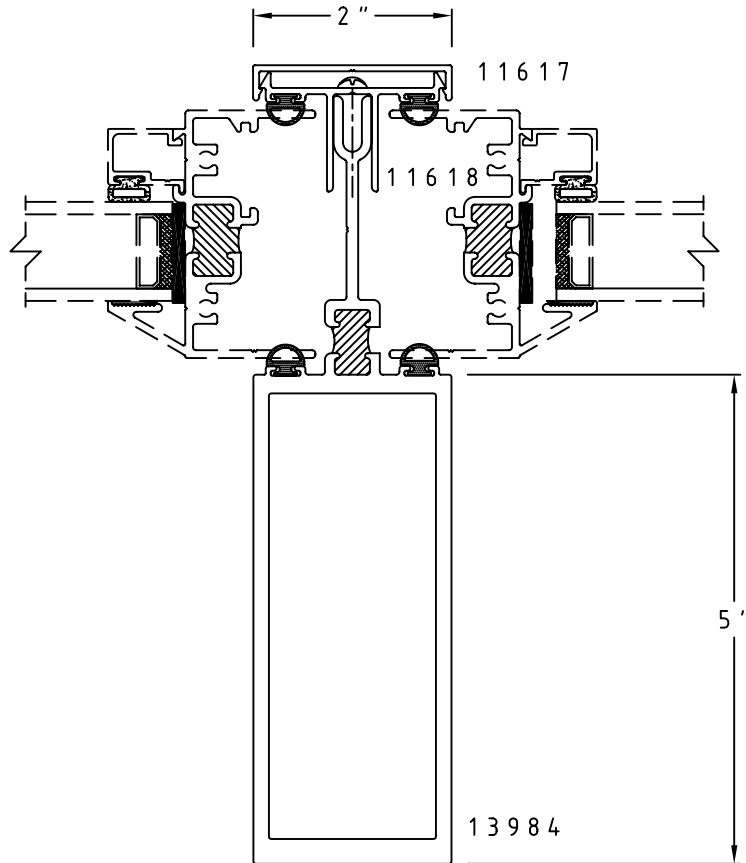
SCALE: HALF

14533  
Snap trim for  
Structural Mullion

14533  
Snap trim for  
Structural Mullion



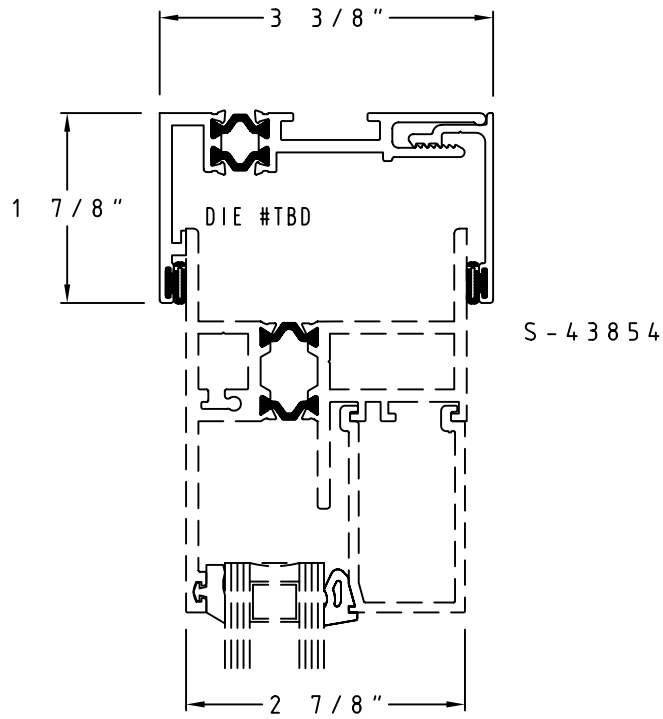
(M19) Structural Mullion w/Snap trim  
For 2 1/2" window



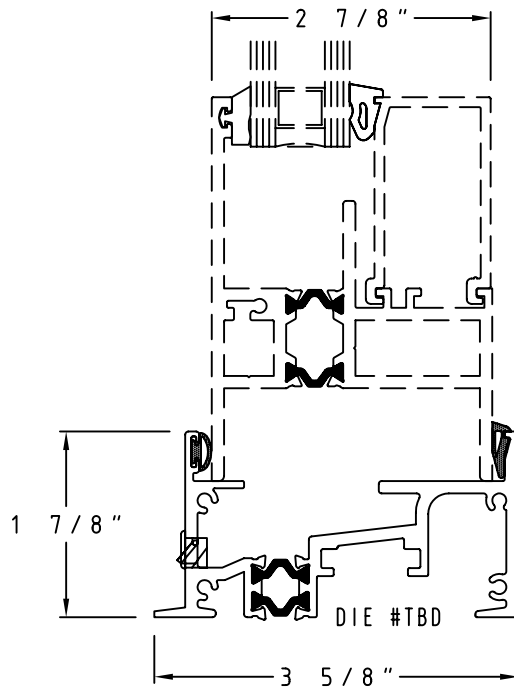
(M09) Used for 2 1/2" Series Windows

FOR ORDERING PURPOSES, REFER TO THE CAP AS: A  
THE PRESSURE PLATE AS: B, AND THE MULLION AS: C

SCALE: HALF

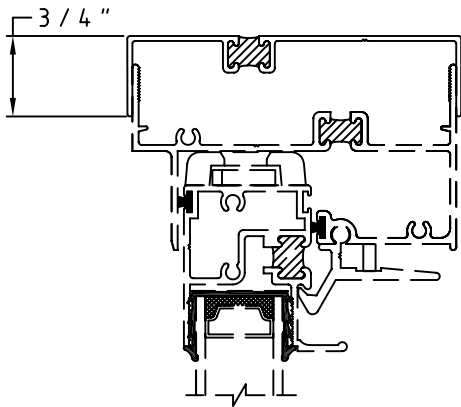


(R15) 2 7/8" Receptor

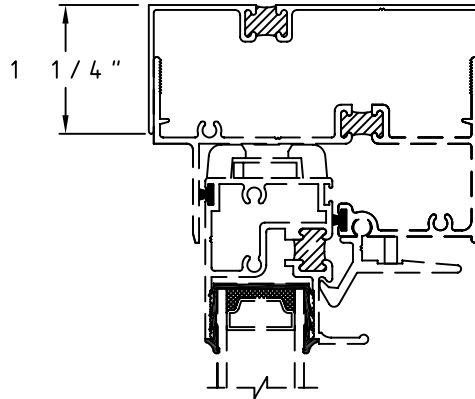


(R16) 2 7/8" Sub Sill

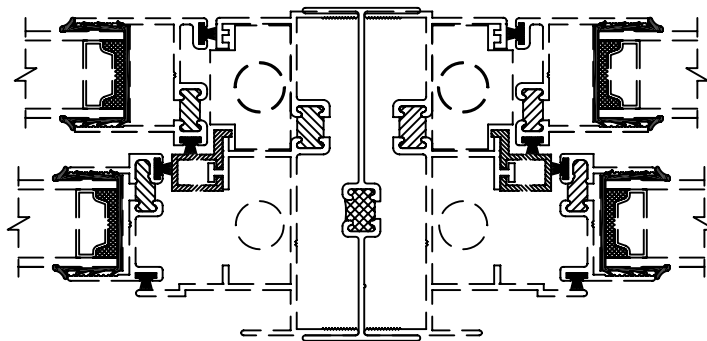
SCALE: HALF



(A23) 3/4" x 3 3/8" Head Expander



(A24) 1 1/4" x 3 3/8" Head Expander

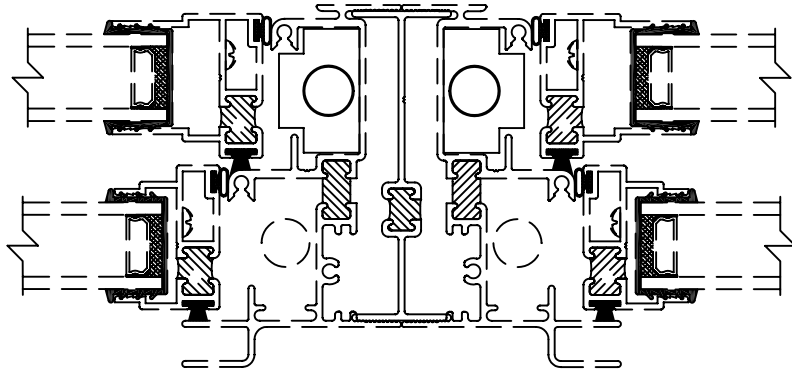


(M23)

11585

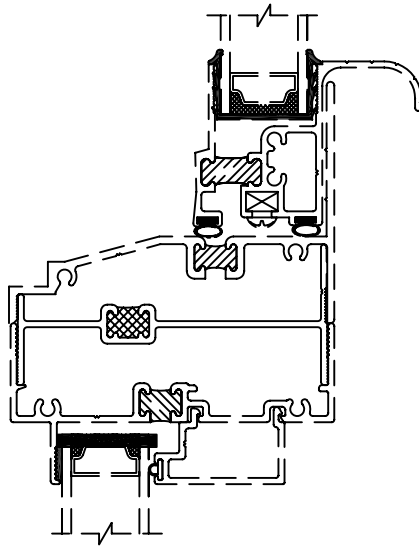
H-Mullion for 3 1/4" Window

SCALE: HALF



(M22) 11015

Tie-in Mullion for 3/4" Window



(M25)

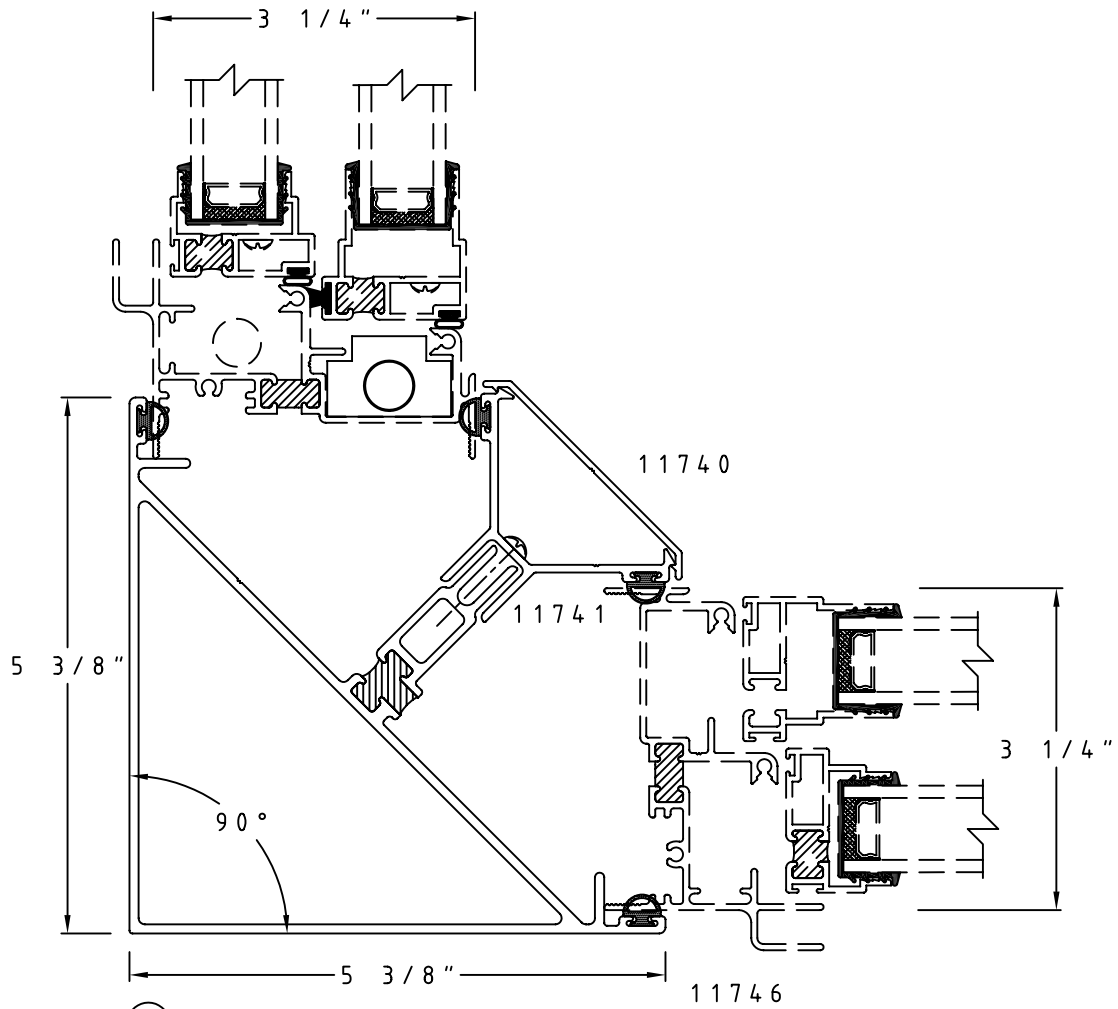
11016  
Stack Mullion for 3/4" Window

C  
h  
a  
m  
p  
i  
o  
n  
  
F  
r  
a  
m  
e  
  
D  
e  
p  
t  
h  
  
D  
e  
p  
e  
n  
d  
a  
n  
t  
  
A  
c  
c  
e  
s  
s  
o  
r  
i  
e  
s

# Champion-Frame Depth Dependant Accessories-3 1/4"

Sheet 3 of 4

SCALE: HALF

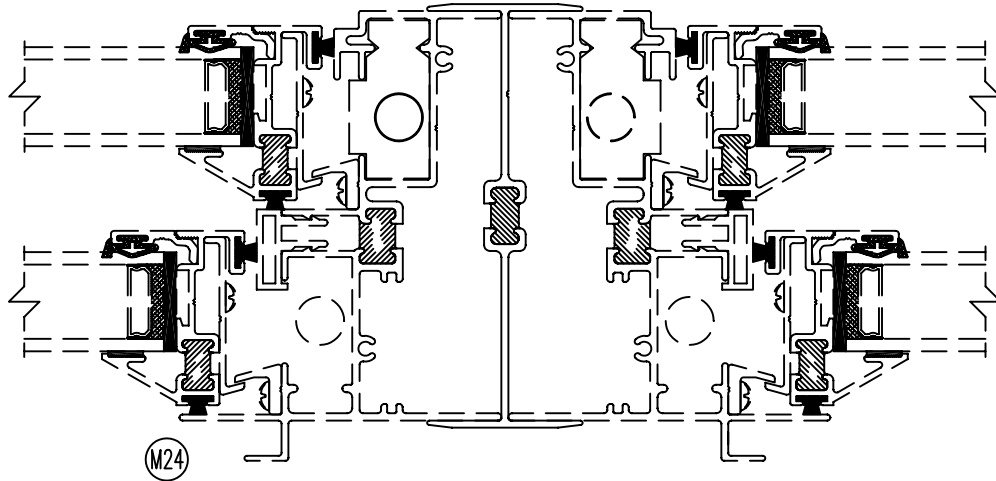


(M10) Used for 3 1/4" Series Windows

Champion Frame Depth Dependant Accessories

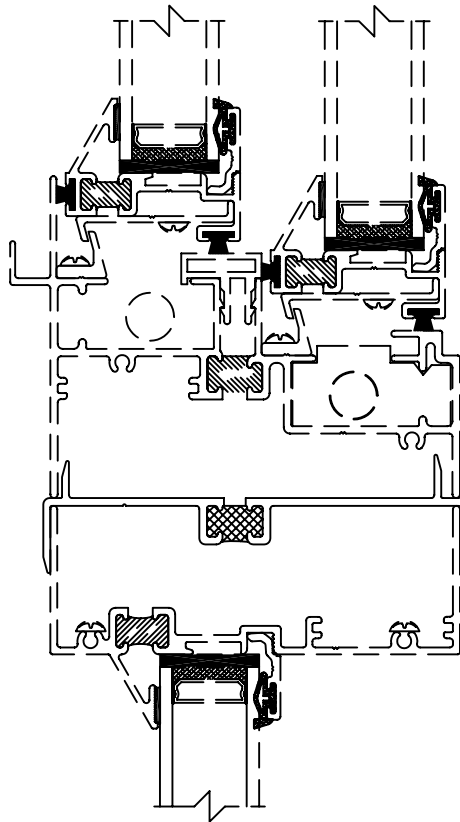


SCALE: HALF



9776

H-Mullion for 4 1/8" Window



M26

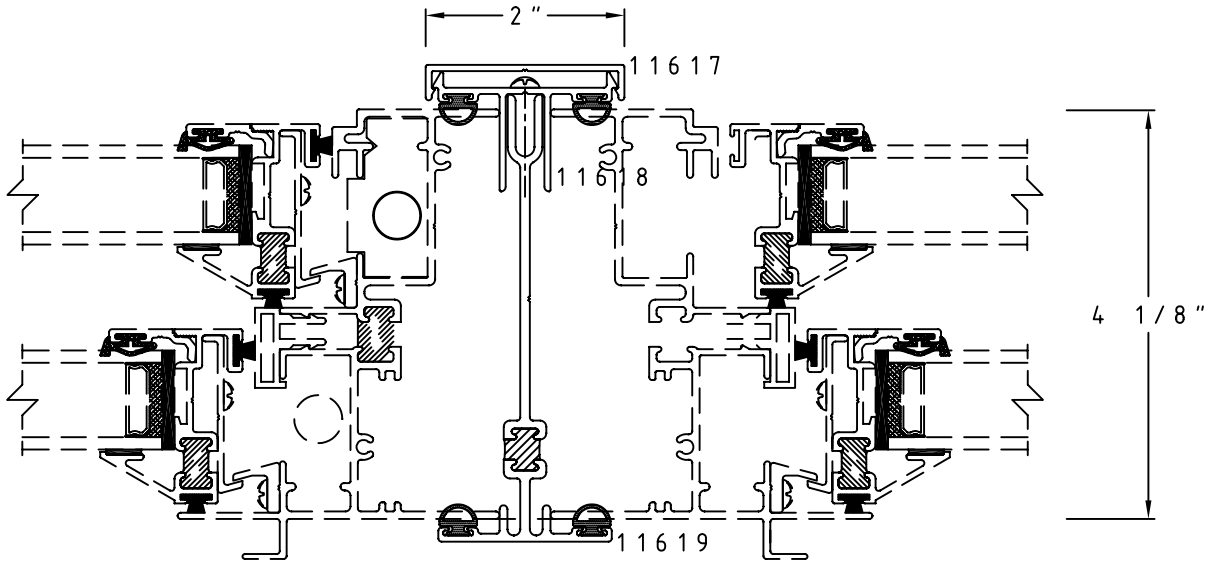
10940

Stack Mullion for 4 1/8" Window

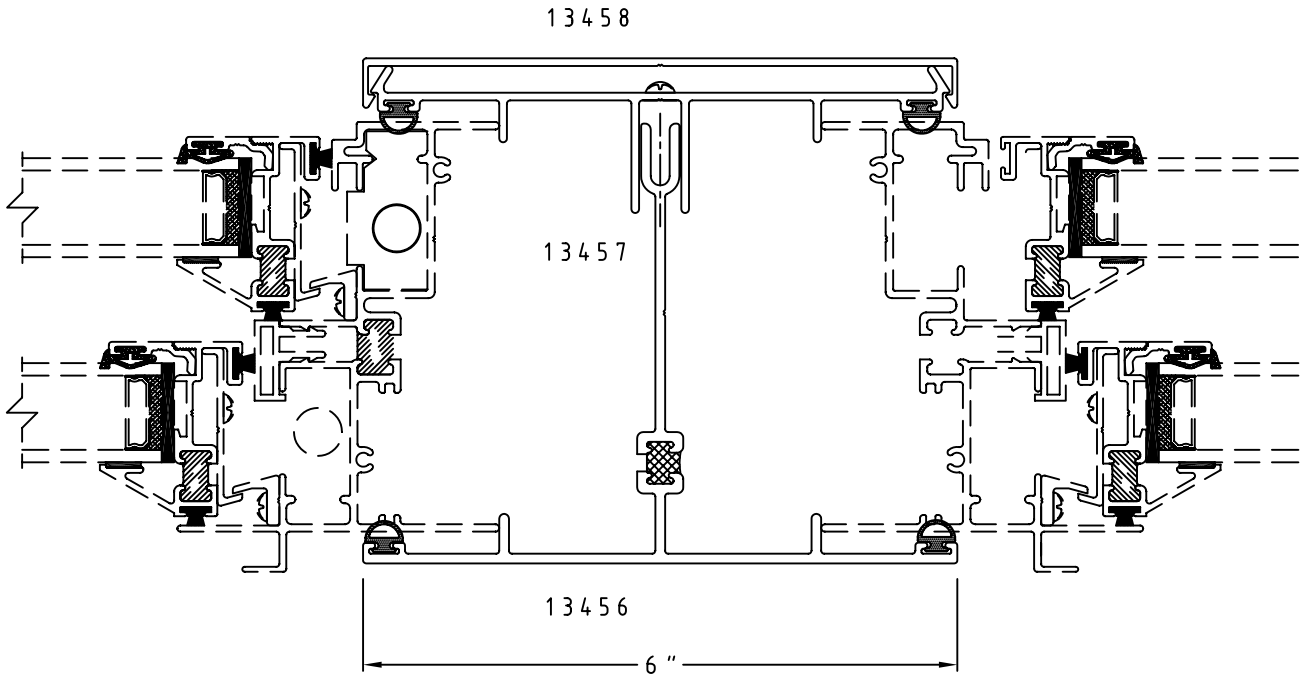
C  
h  
a  
m  
p  
i  
o  
n  
  
F  
r  
a  
m  
e  
  
D  
e  
p  
t  
h  
  
D  
e  
p  
e  
n  
d  
a  
n  
t  
  
A  
c  
c  
e  
s  
s  
o  
r  
i  
e  
s

# Champion-Frame Depth Dependant Accessories-4 1/8"

SCALE: HALF



(M05) Used for 4 1/8" Series Windows

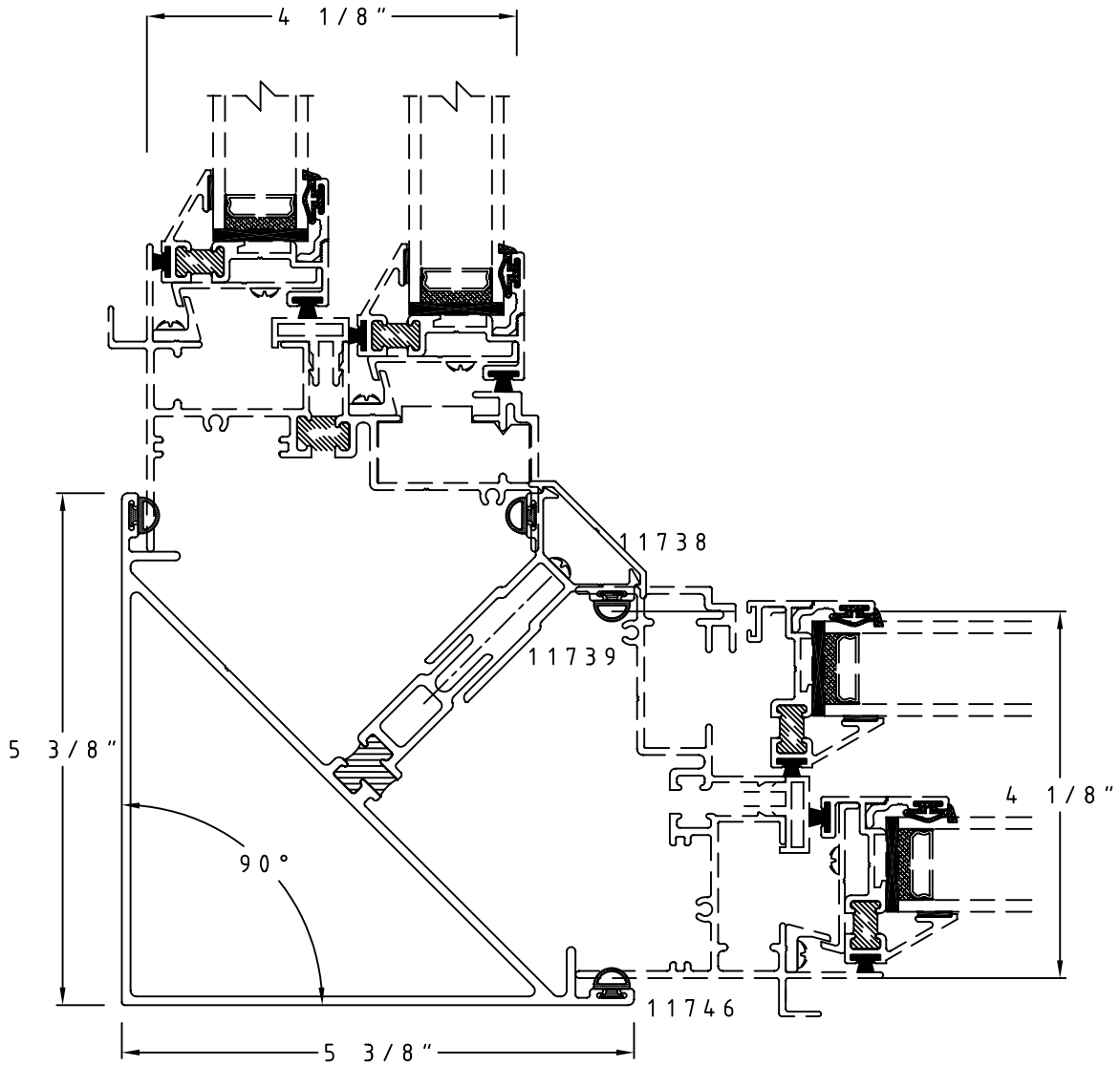


(M18) 6" Tee, Plate and cover for 4 1/8" window



# Champion-Frame Depth Dependant Accessories-4 1/8"

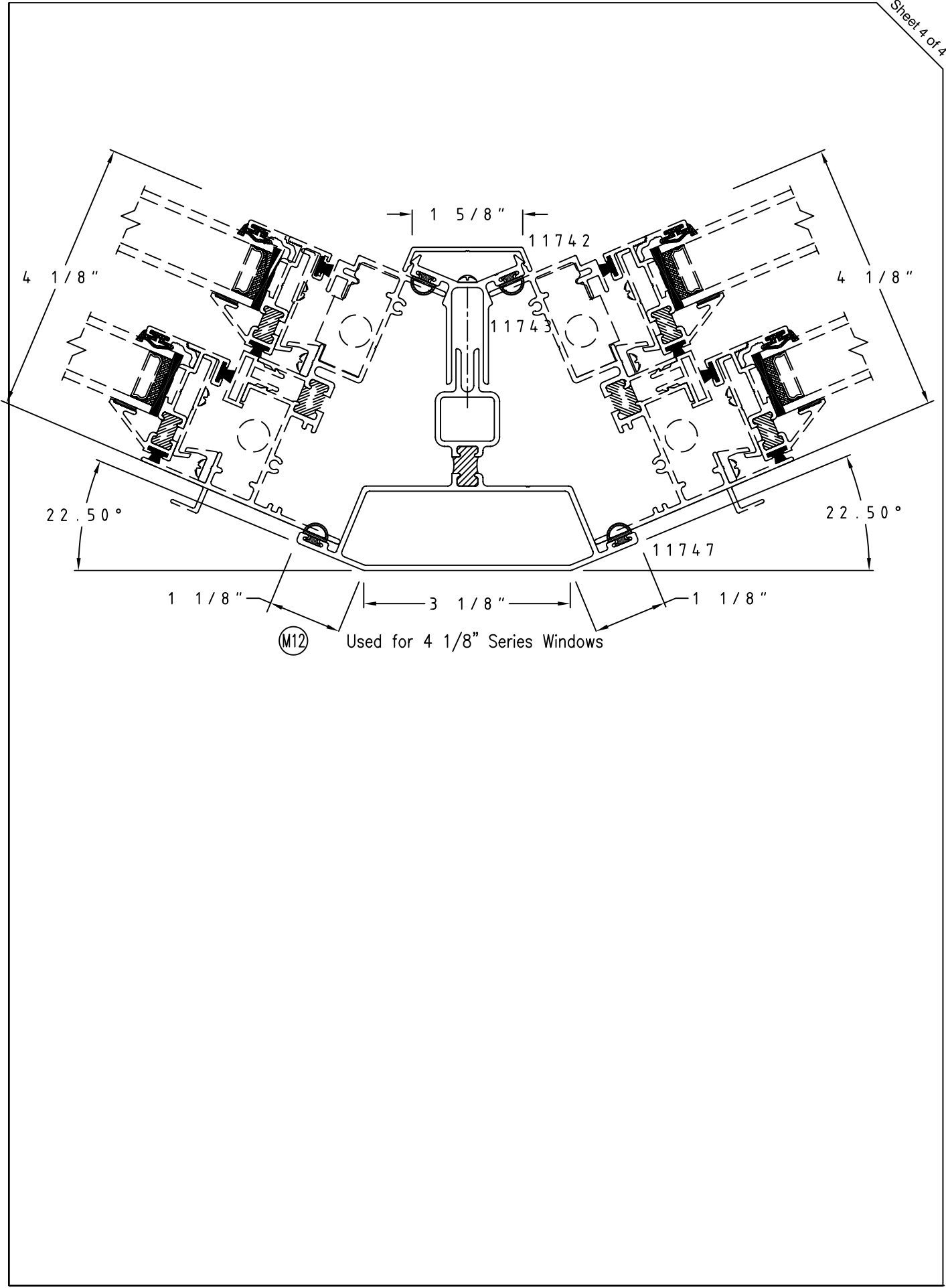
SCALE: HALF



(M13) Used for 4 1/8" Series Windows

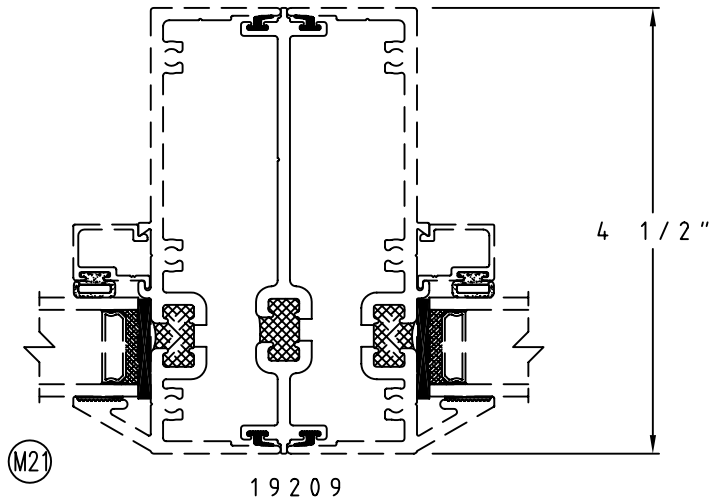
# Champion-Frame Depth Dependant Accessories-4 1/8"

Sheet 4 of 4

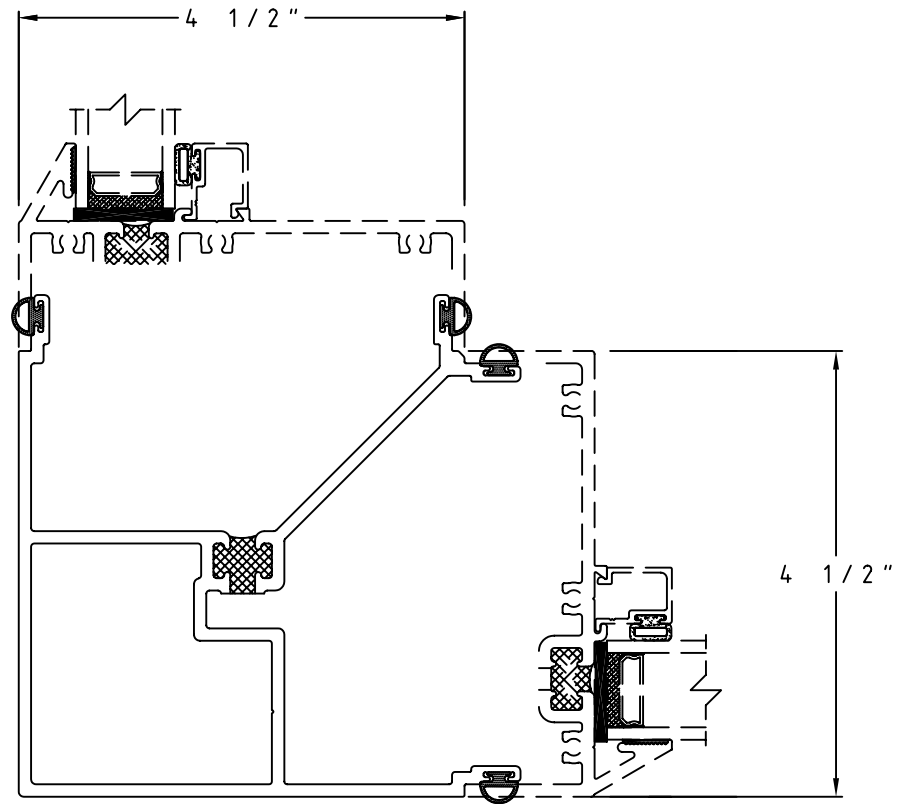


Champion Frame Depth Dependant Accessories

SCALE: HALF



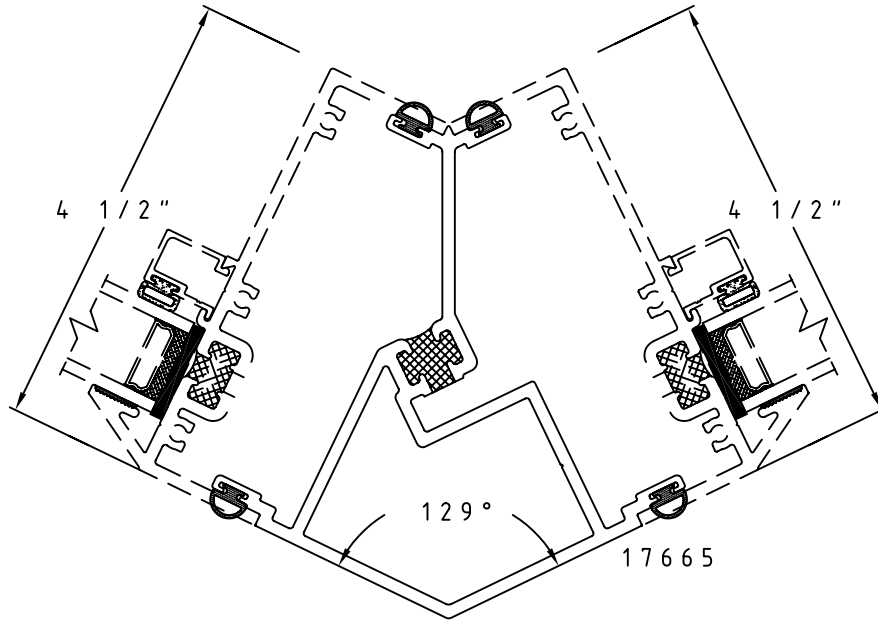
19209  
H MULLION FOR 4 1/2" WINDOWS



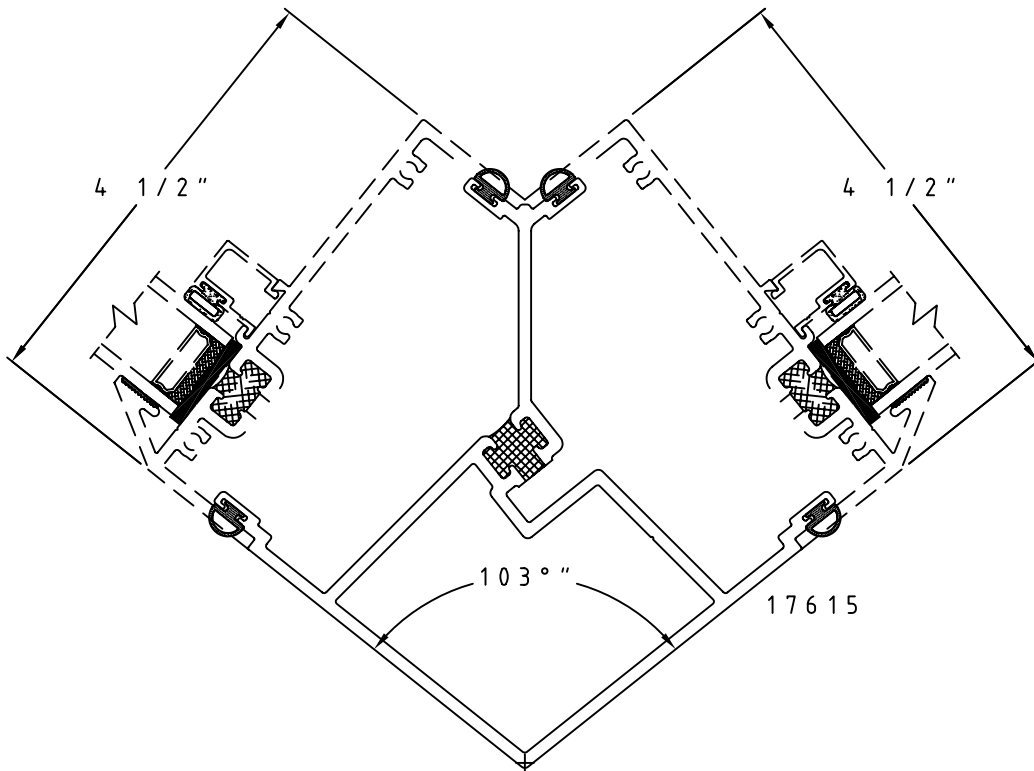
17616  
Used for 4 1/2" Series Windows

C  
h  
a  
m  
p  
i  
o  
n  
  
F  
r  
a  
m  
e  
  
D  
e  
p  
t  
h  
  
D  
e  
p  
e  
n  
d  
a  
n  
t  
  
A  
c  
c  
e  
s  
s  
o  
r  
i  
e  
s

SCALE: HALF



(M14) Used for 4 1/2" Series Windows



(M15) Used for 4 1/2" Series Windows